

Ed Yother

 Drafting & Design

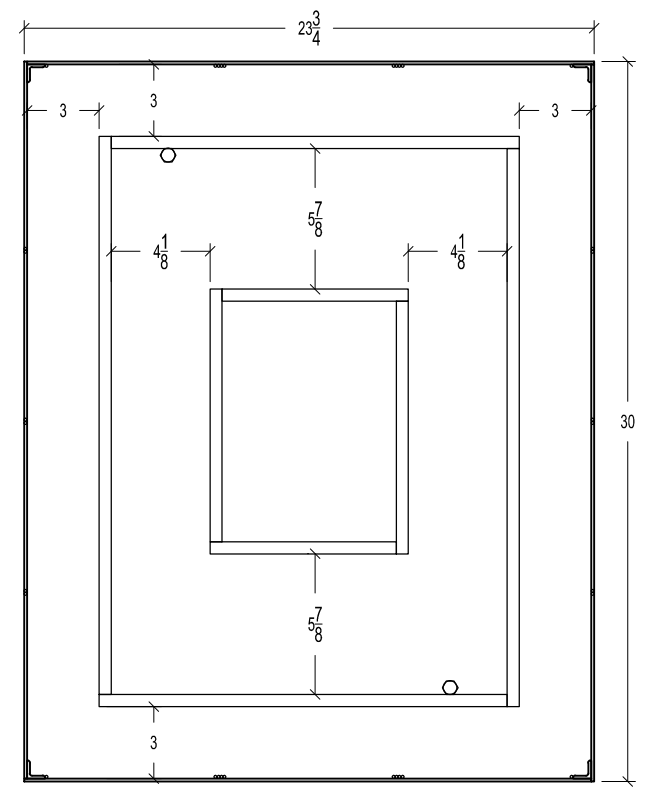
 201 Cumberland Ave

 West Lafayette, IN 47906

GARDEN STATE PLAZA TERRARIUMS

 CTR-TAB-TERR-01

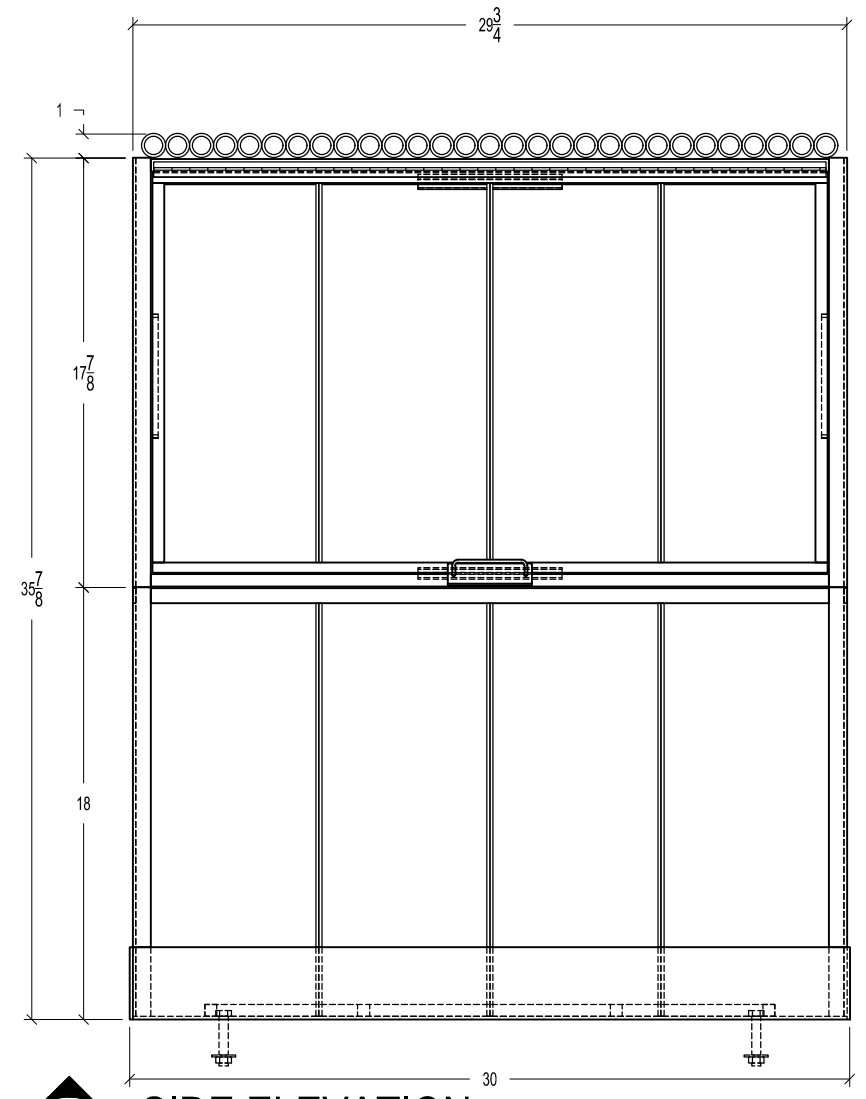
 FABRICATION DRAWING



1

 PLAN SECTION

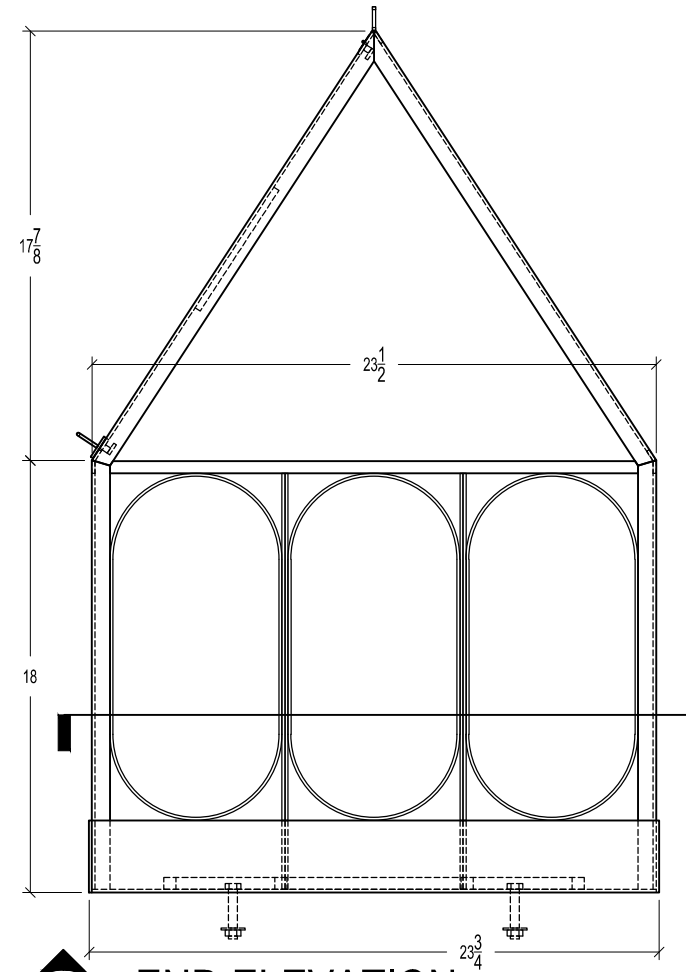
 SCALE: 1-1/2"=1'-0"



2

 SIDE ELEVATION

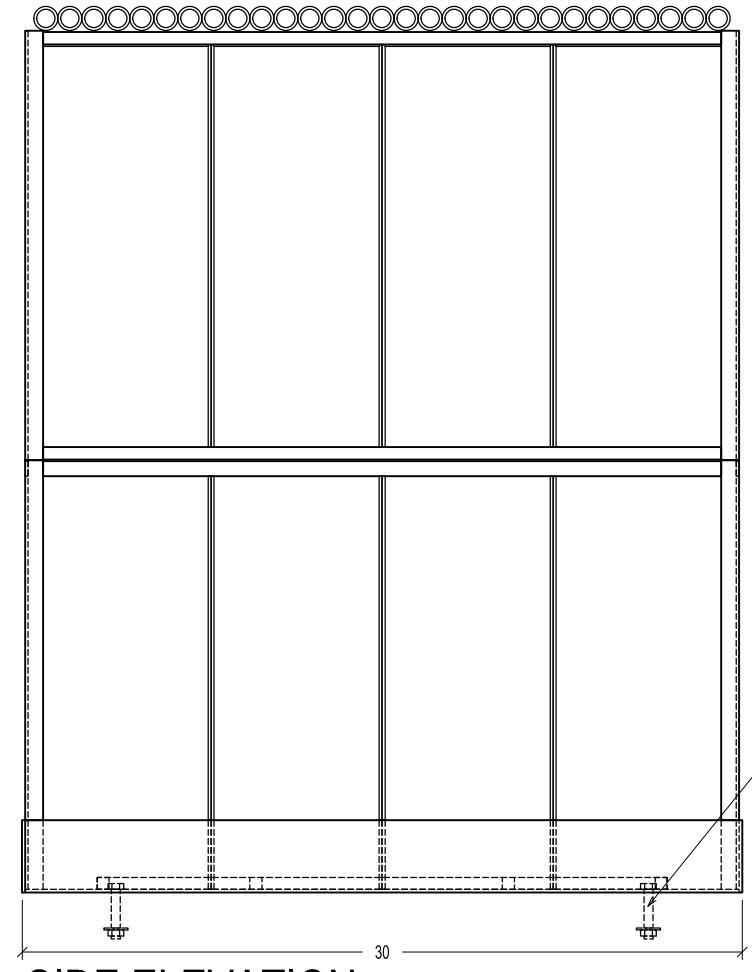
 SCALE: 1-1/2"=1'-0"



3

 END ELEVATION

 SCALE: 1-1/2"=1'-0"



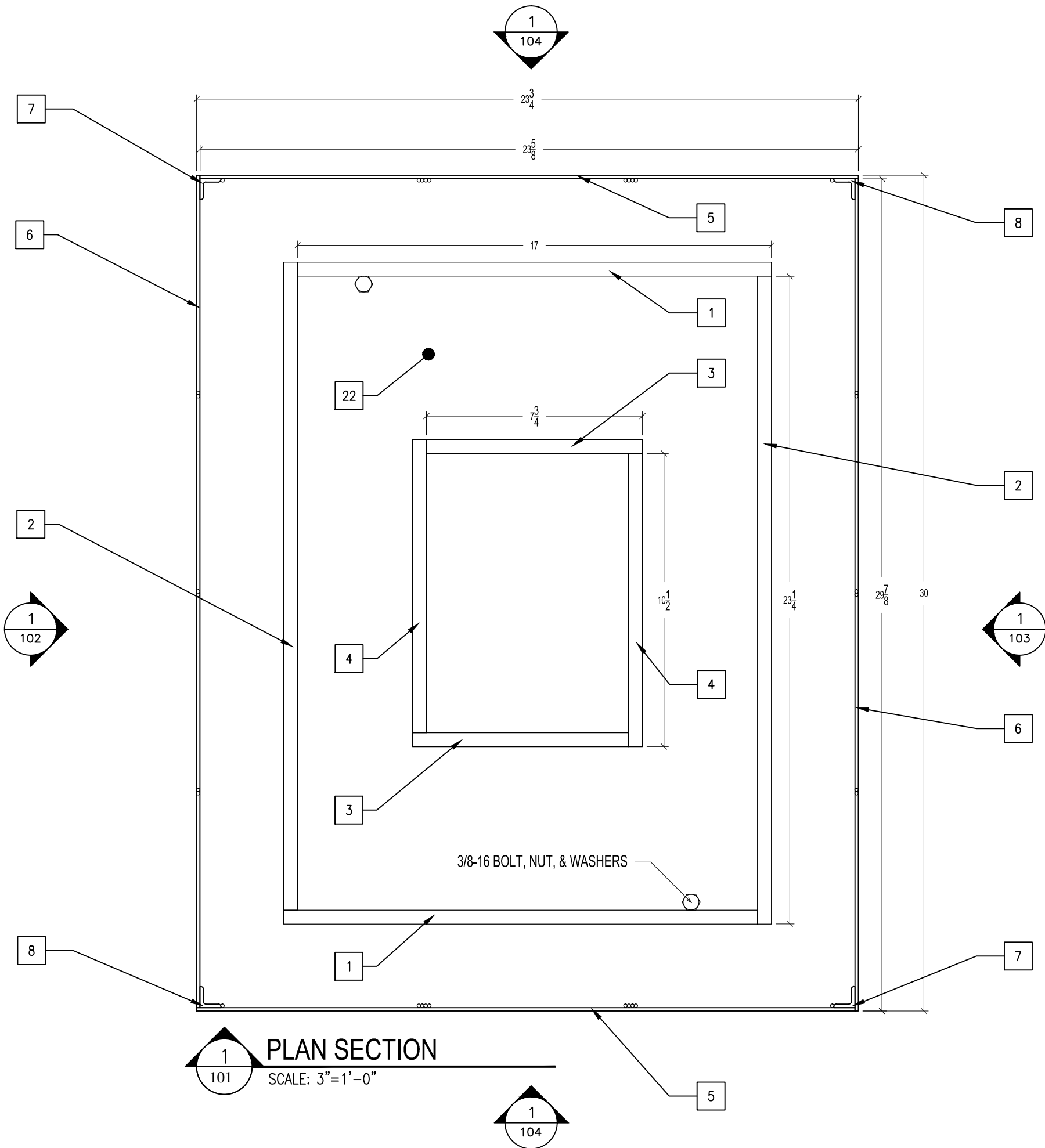
4

 SIDE ELEVATION

 SCALE: 1-1/2"=1'-0"

3/8-16 BOLT, NUT, & WASHERS

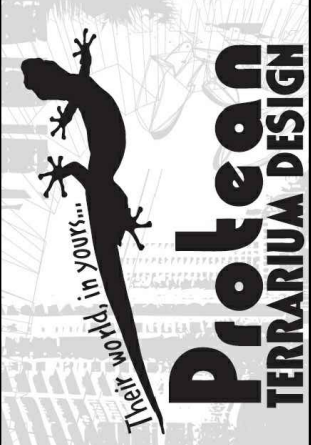
DRAWN BY:	EY
DATE:	5/1/17
REV:	1
SHEET:	100



1
101

PLAN SECTION
SCALE: 3"=1'-0"

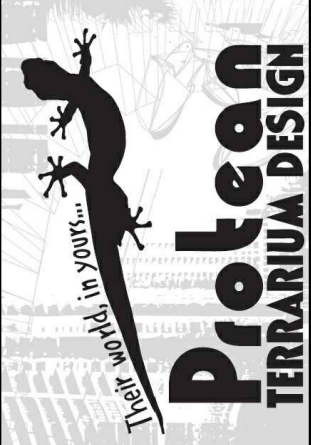
PART QUANTITIES		
PART #	QTY	MATERIAL
1	2	1/2" SQ BAR
2	2	1/2" SQ BAR
3	2	1/2" SQ BAR
4	2	1/2" SQ BAR
5	2	3X1/8" FLATBAR
6	2	3X1/8" FLATBAR
7	2	3/4X3/4X1/8" ANGLE
8	2	3/4X3/4X1/8" ANGLE
9	12	1/8" ROUND BAR
10	2	3/4X3/4X1/8" ANGLE
11	2	3/4X3/4X1/8" ANGLE
12	6	1/8" ROUND BAR
13	2	1/2X1/8" FLATBAR
14	2	1/2X1/8" FLATBAR
15	6	1/2X1/8" FLATBAR
16	6	1/8" ROUND BAR
17	6	1/8" ROUND BAR
18	2	1/2X1/8" FLATBAR
19	1	1X1/8" FLATBAR
20	1	1/8" ROUND BAR
21	6	1/8" ROUND BAR
22	1	23-1/2X29-3/4X1/8" PLATE
23	4	1/8" SQ BAR
24	2	1/2X1/8" FLATBAR



Ed Yother
Drafting & Design
201 Cumberland Ave
West Lafayette, IN 47906

GARDEN STATE PLAZA TERRARIUMS
CTR-TAB-TERR-01
FABRICATION DRAWING

DRAWN BY:	EY
DATE:	5/1/17
REV:	1
SHEET:	101

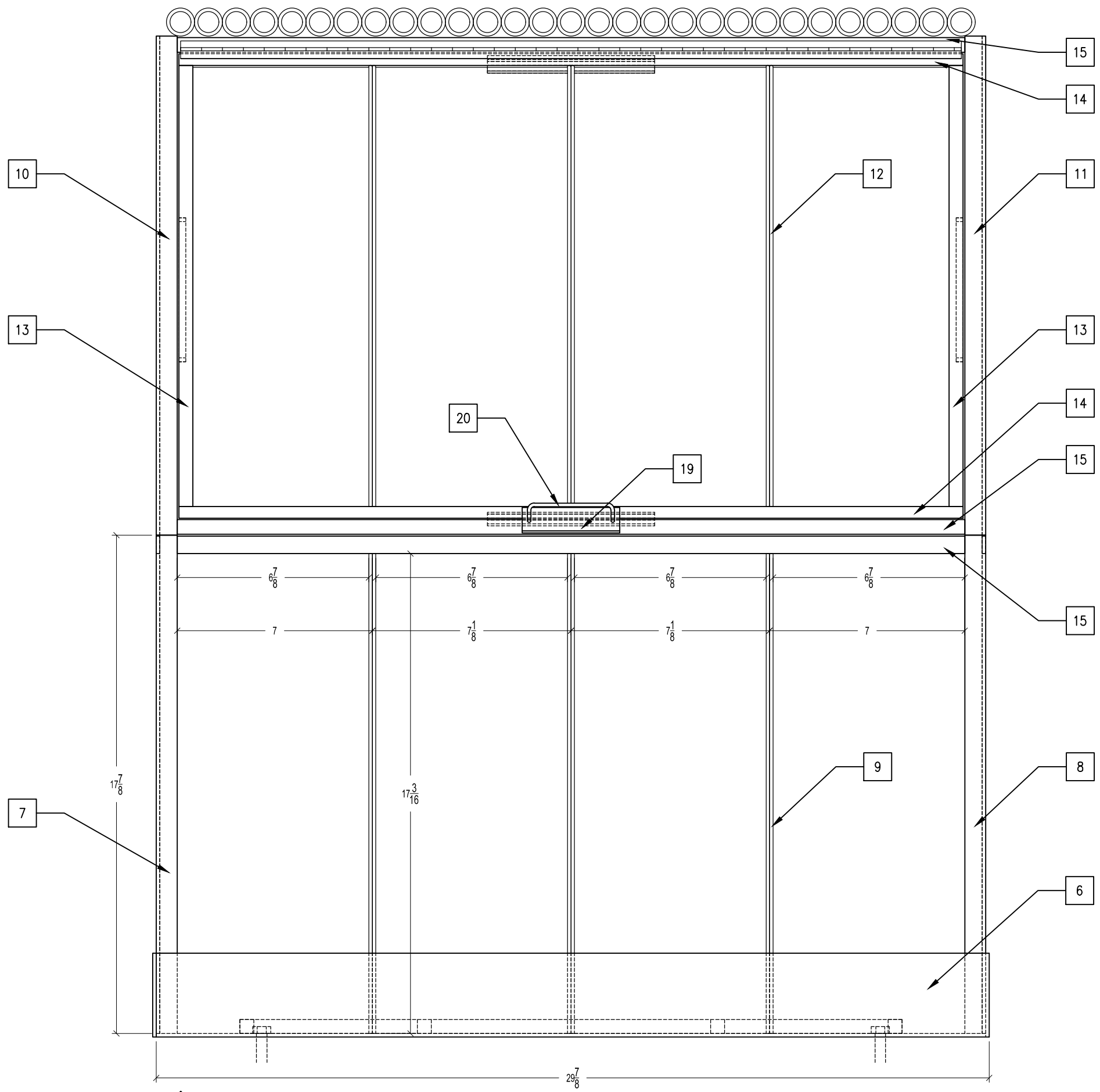


Ed Yother
 Drafting & Design
 201 Cumberland Ave
 West Lafayette, IN 47906

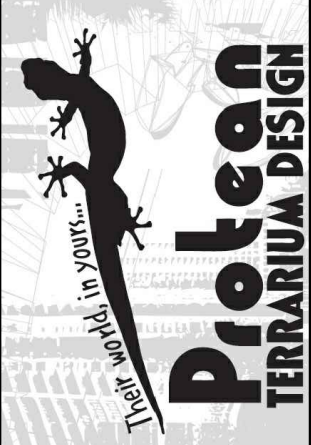
GARDEN STATE PLAZA TERRARIUMS
 CTR-TAB-TERR-01
 FABRICATION DRAWING

DRAWN BY:	EY
DATE:	5/1/17
REV:	1
SHEET:	102

PART QUANTITIES		
PART #	QTY	MATERIAL
1	2	1/2" SQ BAR
2	2	1/2" SQ BAR
3	2	1/2" SQ BAR
4	2	1/2" SQ BAR
5	2	3X1/8" FLATBAR
6	2	3X1/8" FLATBAR
7	2	3/4X3/4X1/8" ANGLE
8	2	3/4X3/4X1/8" ANGLE
9	12	1/8" RONDBAR
10	2	3/4X3/4X1/8" ANGLE
11	2	3/4X3/4X1/8" ANGLE
12	6	1/8" RONDBAR
13	2	1/2X1/8" FLATBAR
14	2	1/2X1/8" FLATBAR
15	6	1/2X1/8" FLATBAR
16	6	1/8" RONDBAR
17	6	1/8" RONDBAR
18	2	1/2X1/8" FLATBAR
19	1	1X1/8" FLATBAR
20	1	1/8" RONDBAR
21	6	1/8" RONDBAR
22	1	23-1/2X29-3/4X1/8" PLATE
23	4	1/8" SQ BAR
24	2	1/2X1/8" FLATBAR



1 SIDE ELEVATION (DOOR SIDE)
 SCALE: 3"=1'-0"

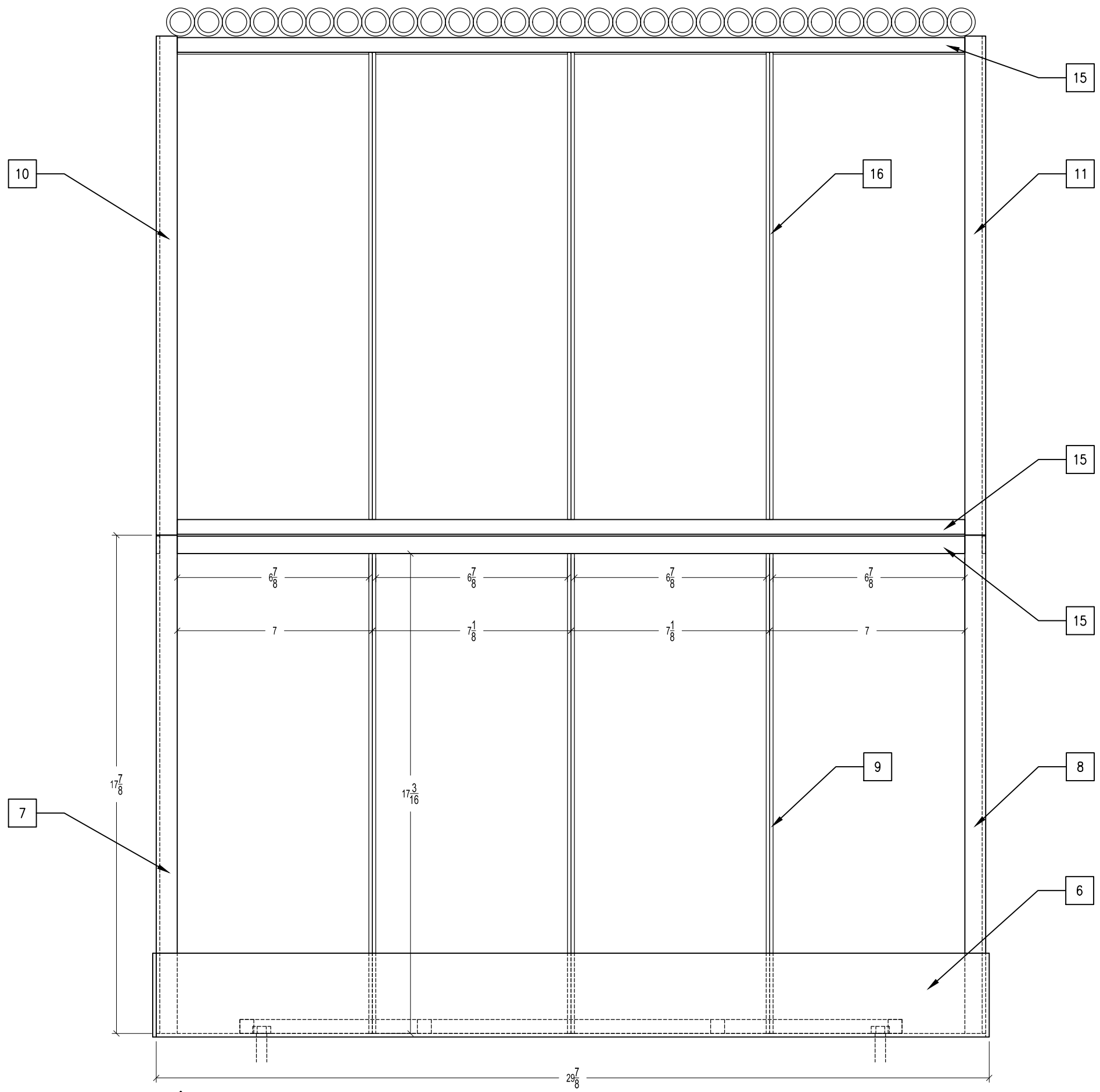


Ed Yother
 Drafting & Design
 201 Cumberland Ave
 West Lafayette, IN 47906

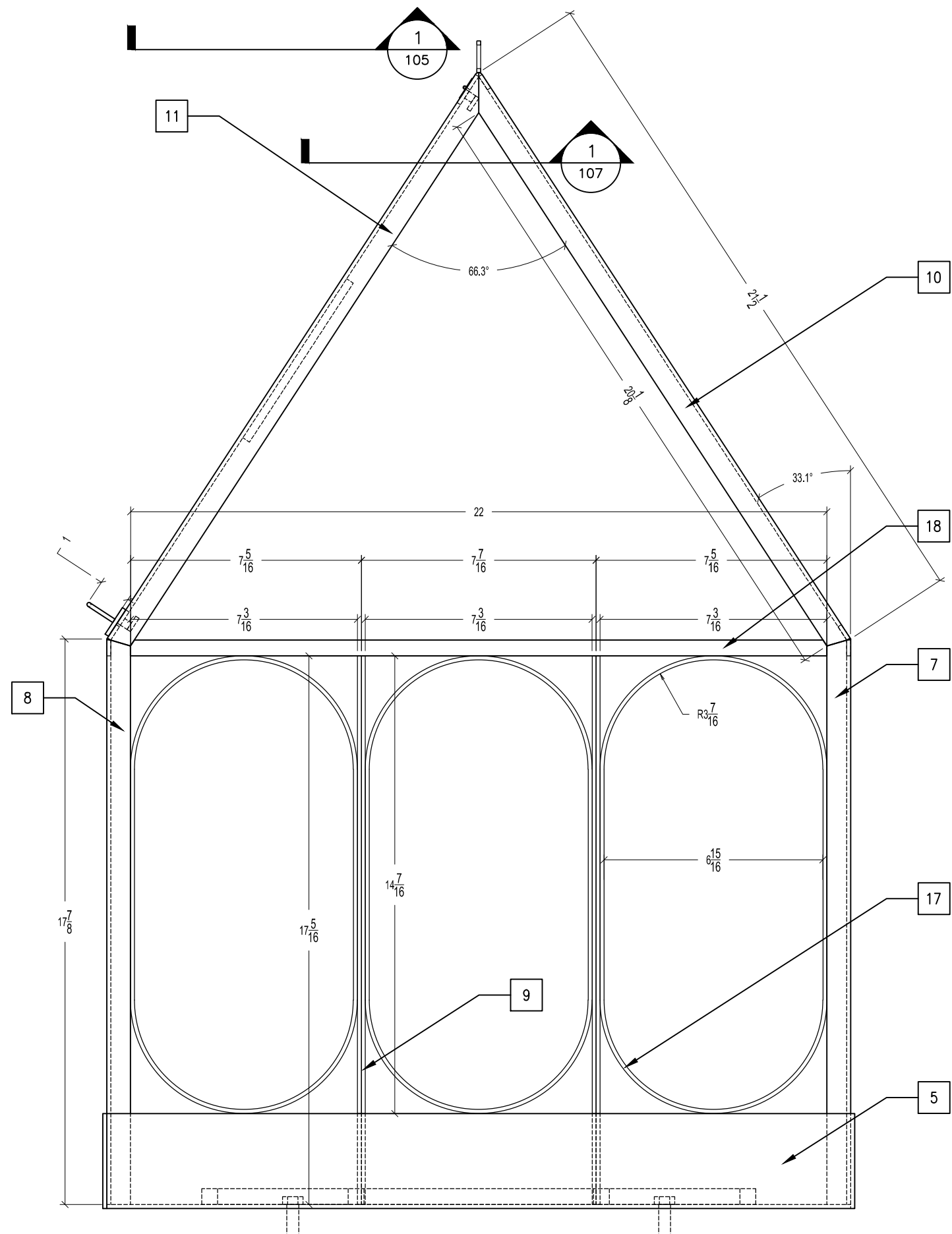
GARDEN STATE PLAZA TERRARIUMS
 CTR-TAB-TERR-01
 FABRICATION DRAWING

DRAWN BY:	EY
DATE:	5/1/17
REV:	1
SHEET:	103

PART QUANTITIES		
PART #	QTY	MATERIAL
1	2	1/2" SQ BAR
2	2	1/2" SQ BAR
3	2	1/2" SQ BAR
4	2	1/2" SQ BAR
5	2	3X1/8" FLATBAR
6	2	3X1/8" FLATBAR
7	2	3/4X3/4X1/8" ANGLE
8	2	3/4X3/4X1/8" ANGLE
9	12	1/8" ROUND BAR
10	2	3/4X3/4X1/8" ANGLE
11	2	3/4X3/4X1/8" ANGLE
12	6	1/8" ROUND BAR
13	2	1/2X1/8" FLATBAR
14	2	1/2X1/8" FLATBAR
15	6	1/2X1/8" FLATBAR
16	6	1/8" ROUND BAR
17	6	1/8" ROUND BAR
18	2	1/2X1/8" FLATBAR
19	1	1X1/8" FLATBAR
20	1	1/8" ROUND BAR
21	6	1/8" ROUND BAR
22	1	23-1/2X29-3/4X1/8" PLATE
23	4	1/8" SQ BAR
24	2	1/2X1/8" FLATBAR

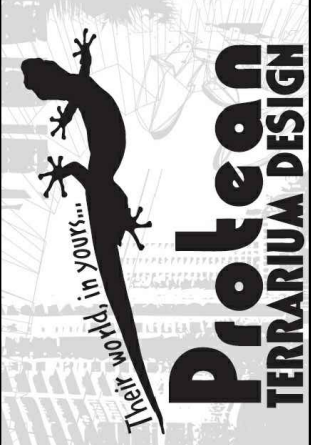


1 SIDE ELEVATION
 103 SCALE: 3"=1'-0"



1
104 END ELEVATION
SCALE: 3"=1'-0"

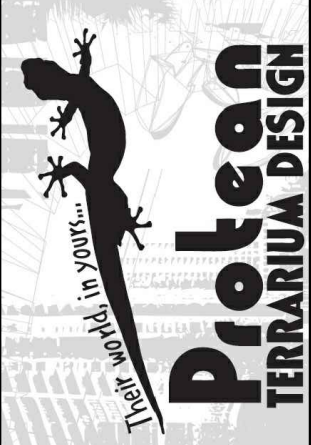
PART QUANTITIES		
PART #	QTY	MATERIAL
1	2	1/2" SQ BAR
2	2	1/2" SQ BAR
3	2	1/2" SQ BAR
4	2	1/2" SQ BAR
5	2	3X1/8" FLATBAR
6	2	3X1/8" FLATBAR
7	2	3/4X3/4X1/8" ANGLE
8	2	3/4X3/4X1/8" ANGLE
9	12	1/8" ROUND BAR
10	2	3/4X3/4X1/8" ANGLE
11	2	3/4X3/4X1/8" ANGLE
12	6	1/8" ROUND BAR
13	2	1/2X1/8" FLATBAR
14	2	1/2X1/8" FLATBAR
15	6	1/2X1/8" FLATBAR
16	6	1/8" ROUND BAR
17	6	1/8" ROUND BAR
18	2	1/2X1/8" FLATBAR
19	1	1X1/8" FLATBAR
20	1	1/8" ROUND BAR
21	6	1/8" ROUND BAR
22	1	23-1/2X29-3/4X1/8" PLATE
23	4	1/8" SQ BAR
24	2	1/2X1/8" FLATBAR



Ed Yother
Drafting & Design
201 Cumberland Ave
West Lafayette, IN 47906

GARDEN STATE PLAZA TERRARIUMS
CTR-TAB-TERR-01
FABRICATION DRAWING

DRAWN BY:	EY
DATE:	5/1/17
REV:	1
SHEET:	104

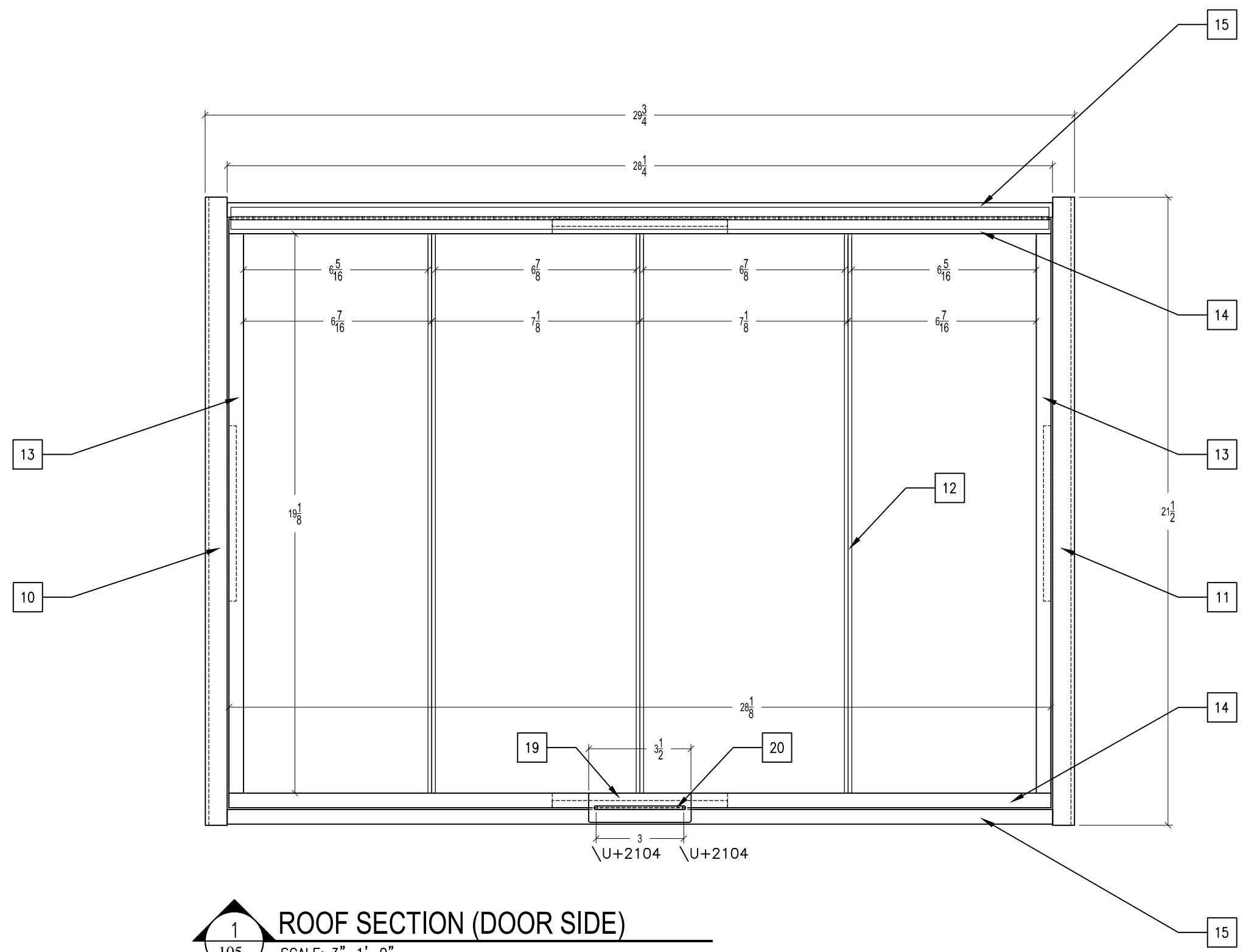


Ed Yother
 Drafting & Design
 201 Cumberland Ave
 West Lafayette, IN 47906

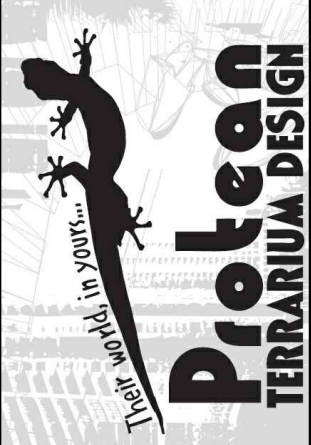
GARDEN STATE PLAZA TERRARIUMS
 CTR-TAB-TERR-01
 FABRICATION DRAWING

DRAWN BY:	EY
DATE:	5/1/17
REV:	1
SHEET:	105

PART QUANTITIES		
PART #	QTY	MATERIAL
1	2	1/2" SQ BAR
2	2	1/2" SQ BAR
3	2	1/2" SQ BAR
4	2	1/2" SQ BAR
5	2	3X1/8" FLATBAR
6	2	3X1/8" FLATBAR
7	2	3/4X3/4X1/8" ANGLE
8	2	3/4X3/4X1/8" ANGLE
9	12	1/8" ROUND BAR
10	2	3/4X3/4X1/8" ANGLE
11	2	3/4X3/4X1/8" ANGLE
12	6	1/8" ROUND BAR
13	2	1/2X1/8" FLATBAR
14	2	1/2X1/8" FLATBAR
15	6	1/2X1/8" FLATBAR
16	6	1/8" ROUND BAR
17	6	1/8" ROUND BAR
18	2	1/2X1/8" FLATBAR
19	1	1X1/8" FLATBAR
20	1	1/8" ROUND BAR
21	6	1/8" ROUND BAR
22	1	23-1/2X29-3/4X1/8" PLATE
23	4	1/8" SQ BAR
24	2	1/2X1/8" FLATBAR



1 ROOF SECTION (DOOR SIDE)
 SCALE: 3"=1'-0"

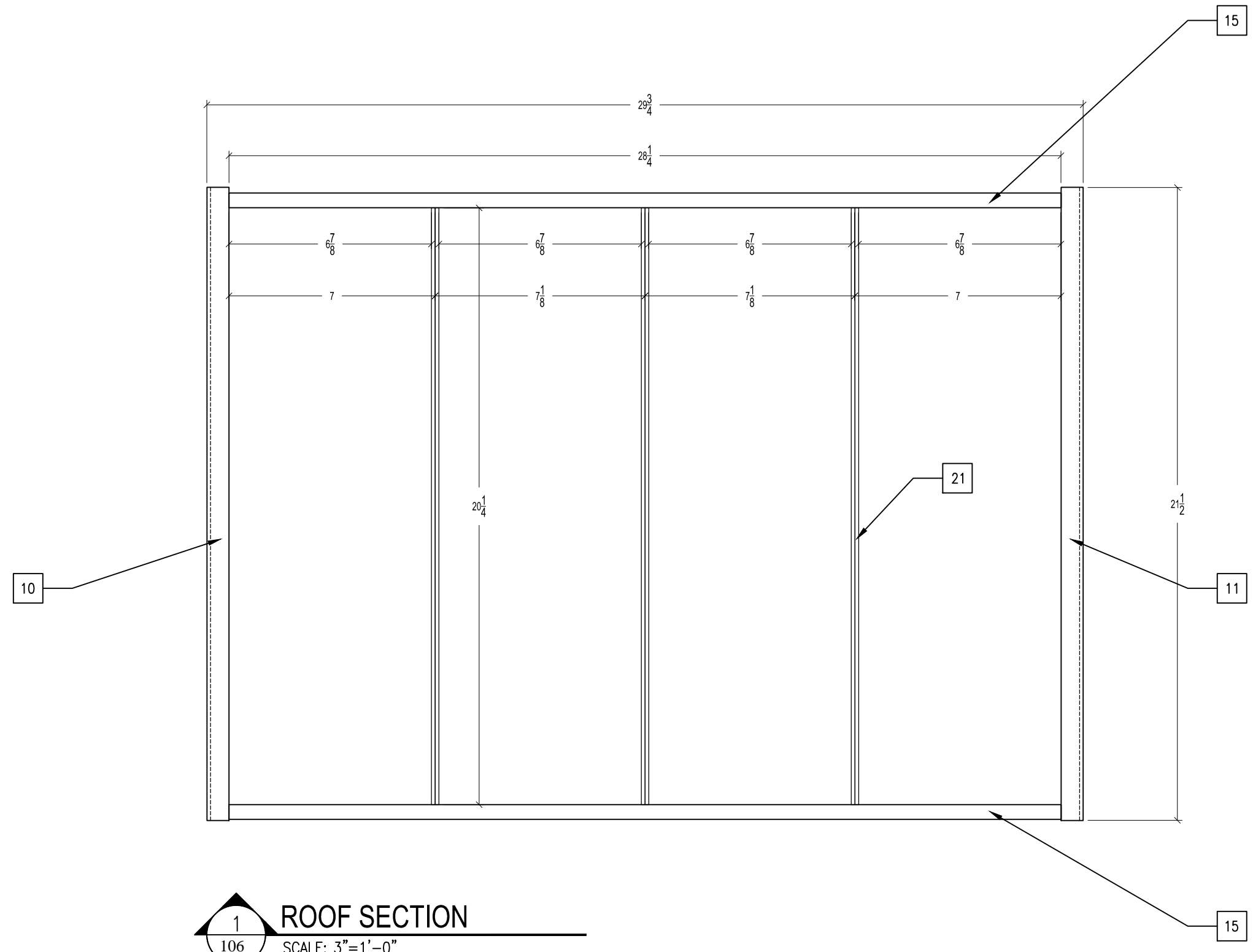


Ed Yother
 Drafting & Design
 201 Cumberland Ave
 West Lafayette, IN 47906

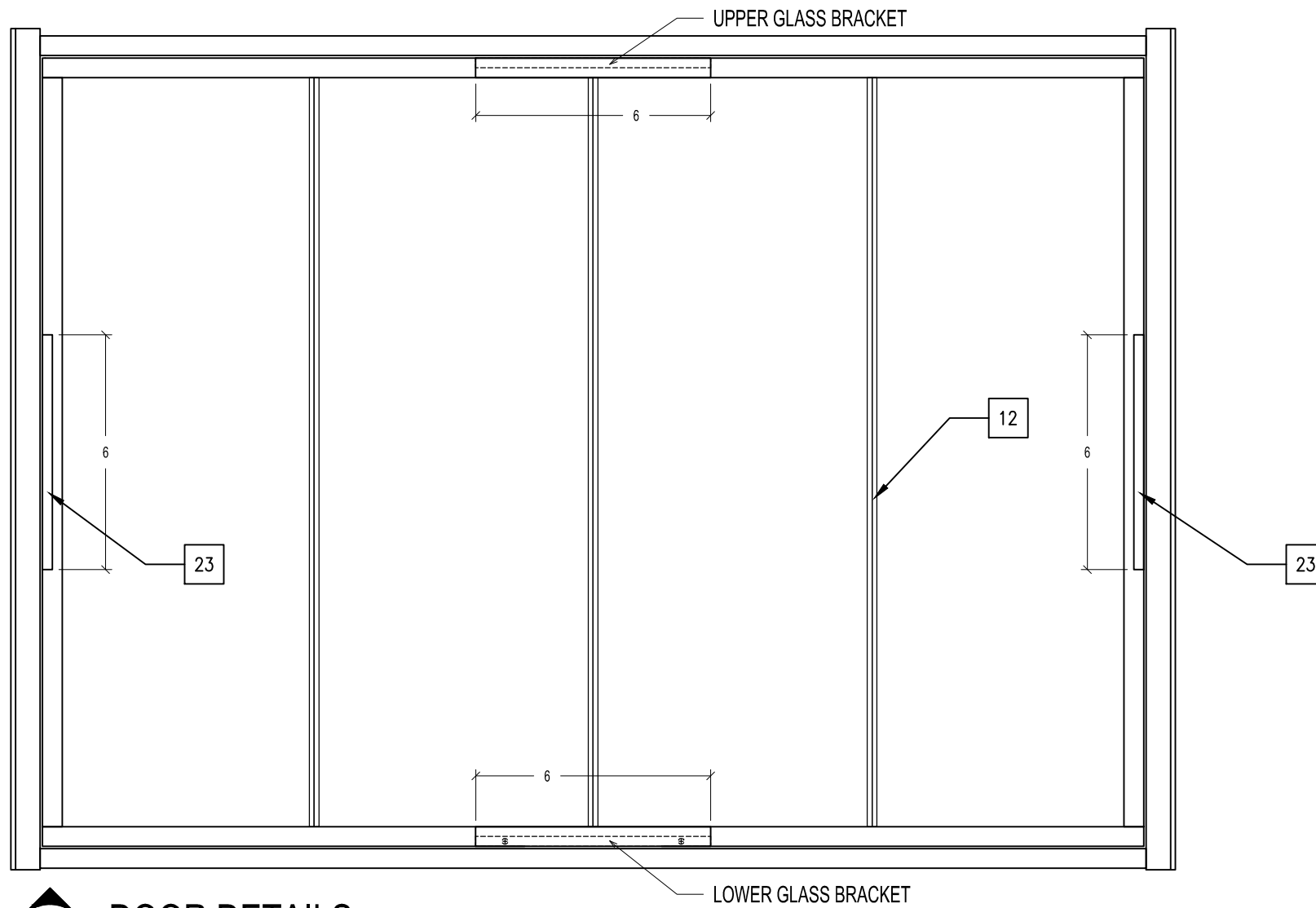
GARDEN STATE PLAZA TERRARIUMS
 CTR-TAB-TERR-01
 FABRICATION DRAWING

DRAWN BY:	EY
DATE:	5/1/17
REV:	1
SHEET:	106

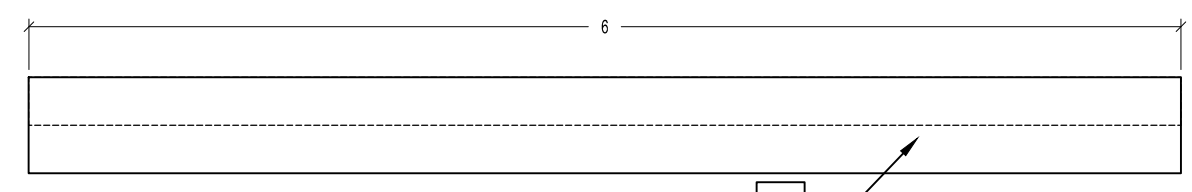
PART QUANTITIES		
PART #	QTY	MATERIAL
1	2	1/2" SQ BAR
2	2	1/2" SQ BAR
3	2	1/2" SQ BAR
4	2	1/2" SQ BAR
5	2	3X1/8" FLATBAR
6	2	3X1/8" FLATBAR
7	2	3/4X3/4X1/8" ANGLE
8	2	3/4X3/4X1/8" ANGLE
9	12	1/8" ROUND BAR
10	2	3/4X3/4X1/8" ANGLE
11	2	3/4X3/4X1/8" ANGLE
12	6	1/8" ROUND BAR
13	2	1/2X1/8" FLATBAR
14	2	1/2X1/8" FLATBAR
15	6	1/2X1/8" FLATBAR
16	6	1/8" ROUND BAR
17	6	1/8" ROUND BAR
18	2	1/2X1/8" FLATBAR
19	1	1X1/8" FLATBAR
20	1	1/8" ROUND BAR
21	6	1/8" ROUND BAR
22	1	23-1/2X29-3/4X1/8" PLATE
23	4	1/8" SQ BAR
24	2	1/2X1/8" FLATBAR



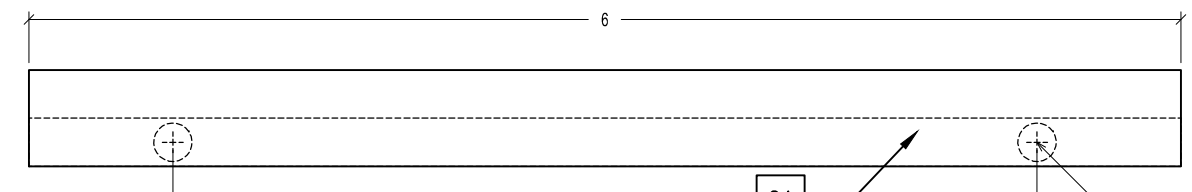
1 ROOF SECTION
 106 SCALE: 3"=1'-0"



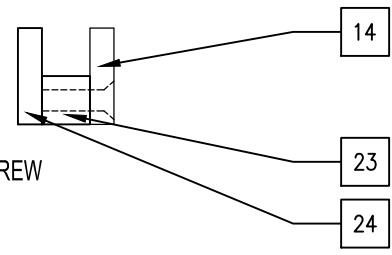
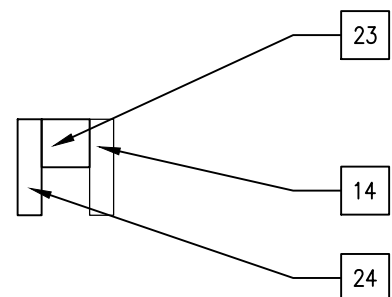
1 DOOR DETAILS
107 SCALE: 3"=1'-0"



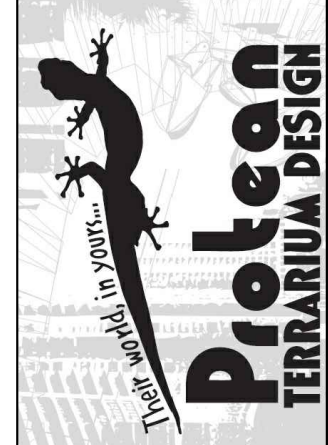
2 UPPER GLASS BRACKET
107 SCALE: 1:1



3 LOWER GLASS BRACKET
107 SCALE: 1:1



PART QUANTITIES		
PART #	QTY	MATERIAL
1	2	1/2" SQ BAR
2	2	1/2" SQ BAR
3	2	1/2" SQ BAR
4	2	1/2" SQ BAR
5	2	3X1/8" FLATBAR
6	2	3X1/8" FLATBAR
7	2	3/4X3/4X1/8" ANGLE
8	2	3/4X3/4X1/8" ANGLE
9	12	1/8" ROUND BAR
10	2	3/4X3/4X1/8" ANGLE
11	2	3/4X3/4X1/8" ANGLE
12	6	1/8" ROUND BAR
13	2	1/2X1/8" FLATBAR
14	2	1/2X1/8" FLATBAR
15	6	1/2X1/8" FLATBAR
16	6	1/8" ROUND BAR
17	6	1/8" ROUND BAR
18	2	1/2X1/8" FLATBAR
19	1	1X1/8" FLATBAR
20	1	1/8" ROUND BAR
21	6	1/8" ROUND BAR
22	1	23-1/2X29-3/4X1/8" PLATE
23	4	1/8" SQ BAR
24	2	1/2X1/8" FLATBAR



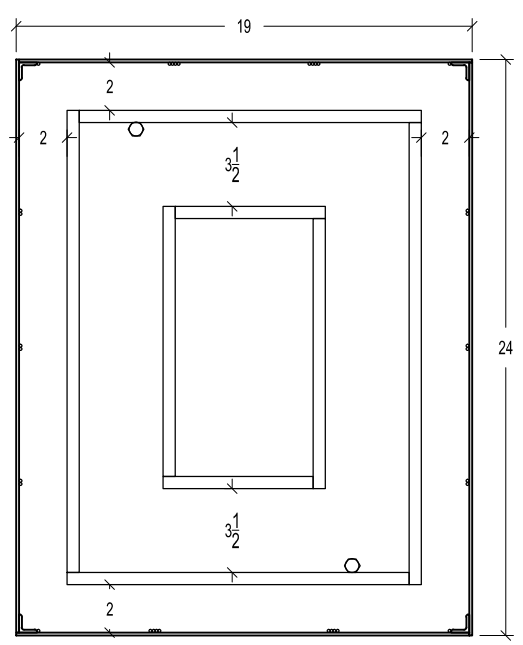
Ed Yother
Drafting & Design
201 Cumberland Ave
West Lafayette, IN 47906

GARDEN STATE PLAZA TERRARIUMS
CTR-TAB-TERR-01
FABRICATION DRAWING

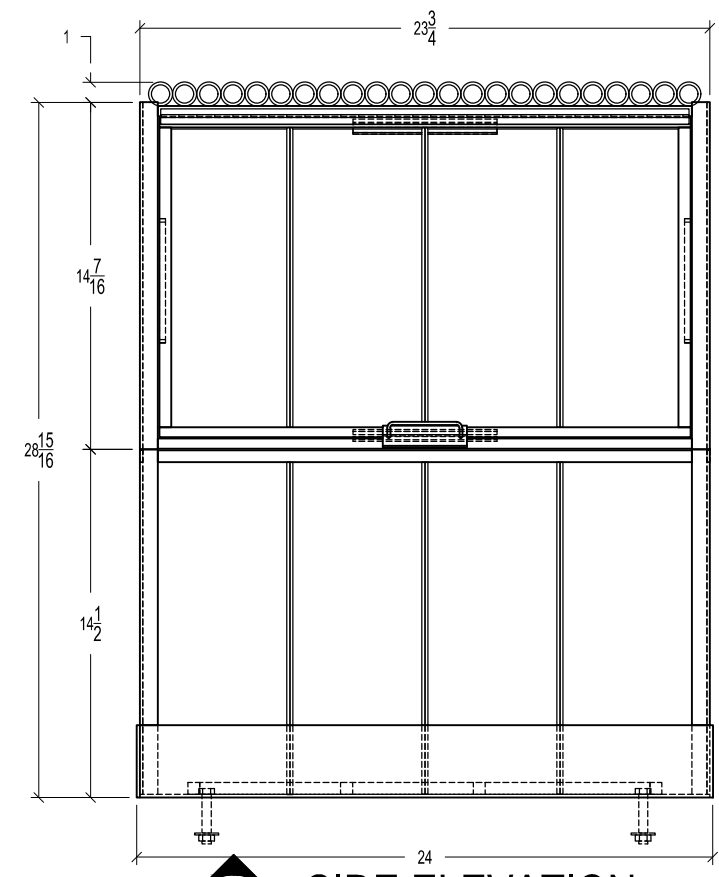
DRAWN BY:	EY
DATE:	5/1/17
REV:	1
SHEET:	107

Ed Yother
 Drafting & Design
 201 Cumberland Ave
 West Lafayette, IN 47906

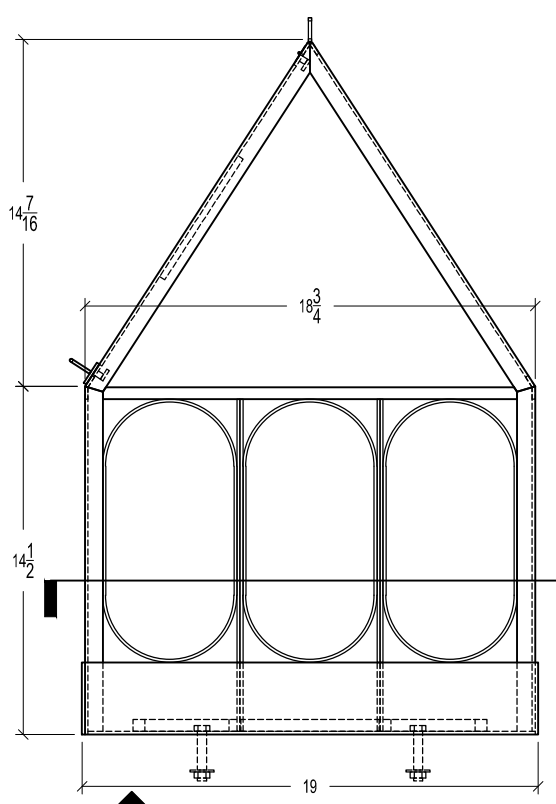
GARDEN STATE PLAZA TERRARIUMS
 CTR-TAB-TERR-02
 FABRICATION DRAWING



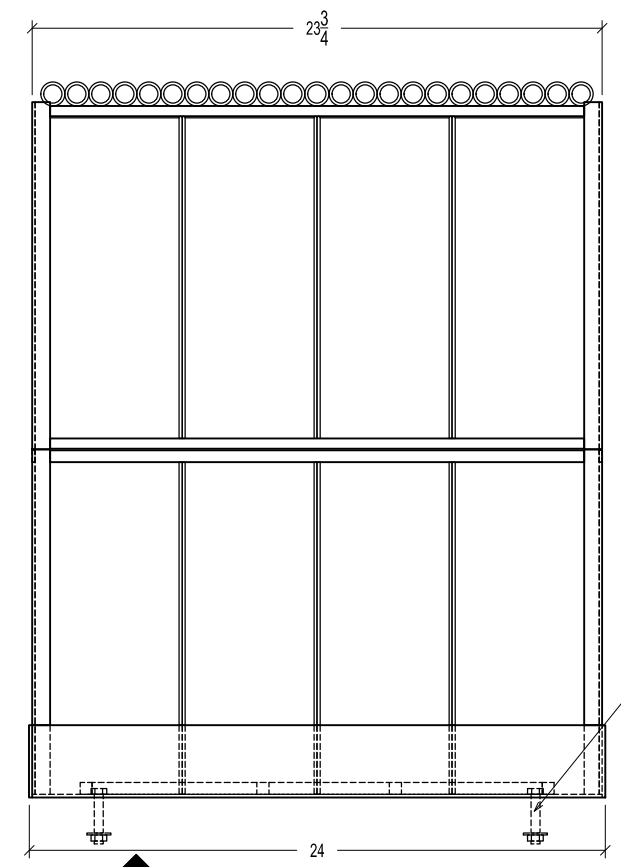
1
 200 **PLAN SECTION**
 SCALE: 1-1/2"=1'-0"



2
 200 **SIDE ELEVATION**
 SCALE: 1-1/2"=1'-0"

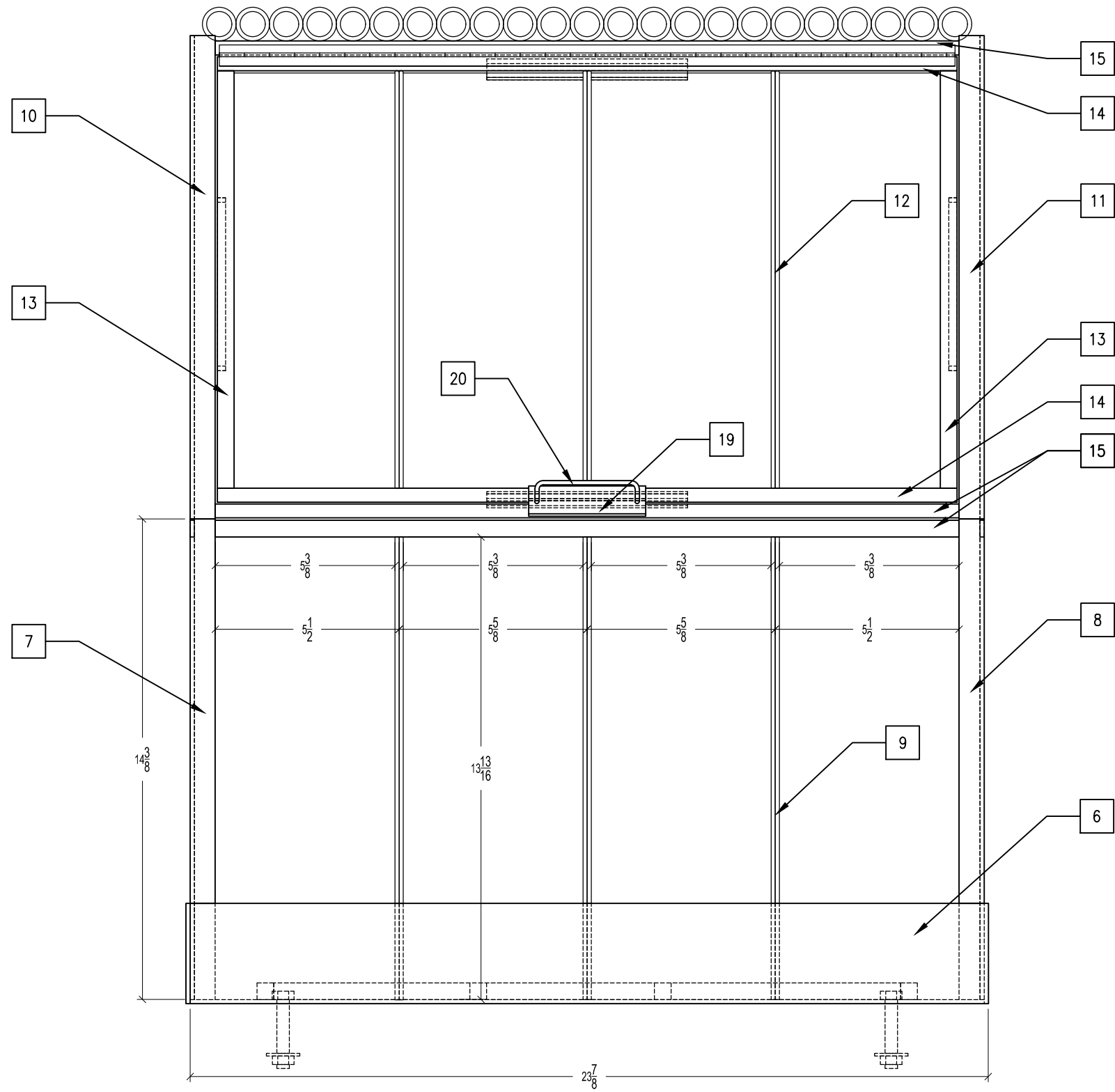


3
 200 **END ELEVATION**
 SCALE: 1-1/2"=1'-0"



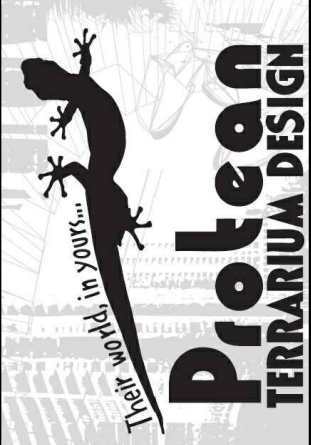
4
 200 **SIDE ELEVATION**
 SCALE: 1-1/2"=1'-0"

DRAWN BY:	EY
DATE:	6/23/17
REV:	0
SHEET:	200



PART QUANTITIES		
PART #	QTY	MATERIAL
1	2	1/2" SQ BAR
2	2	1/2" SQ BAR
3	2	1/2" SQ BAR
4	2	1/2" SQ BAR
5	2	3X1/8" FLATBAR
6	2	3X1/8" FLATBAR
7	2	3/4X3/4X1/8" ANGLE
8	2	3/4X3/4X1/8" ANGLE
9	12	1/8" ROUND BAR
10	2	3/4X3/4X1/8" ANGLE
11	2	3/4X3/4X1/8" ANGLE
12	6	1/8" ROUND BAR
13	2	1/2X1/8" FLATBAR
14	2	1/2X1/8" FLATBAR
15	6	1/2X1/8" FLATBAR
16	6	1/8" ROUND BAR
17	6	1/8" ROUND BAR
18	2	1/2X1/8" FLATBAR
19	1	1X1/8" FLATBAR
20	1	1/8" ROUND BAR
21	6	1/8" ROUND BAR
22	1	23-1/2X29-3/4X1/8" PLATE
23	4	1/8" SQ BAR
24	2	1/2X1/8" FLATBAR

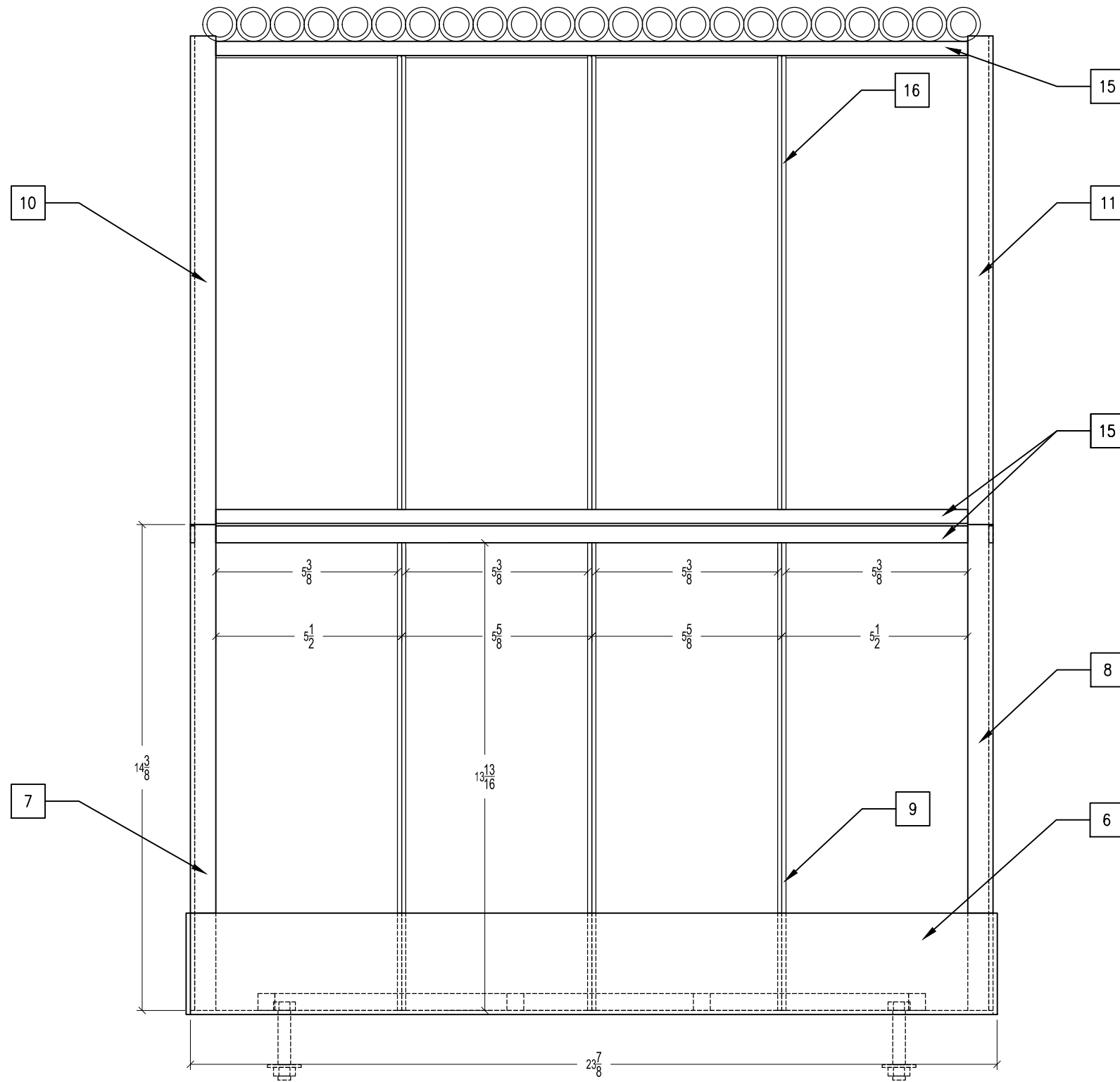
1
202
SIDE ELEVATION (DOOR SIDE)
 SCALE: 3"=1'-0"



Ed Yother
 Drafting & Design
 201 Cumberland Ave
 West Lafayette, IN 47906

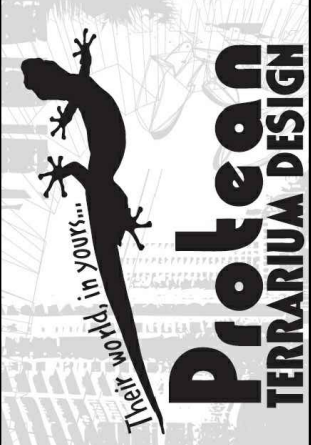
GARDEN STATE PLAZA TERRARIUMS
 CTR-TAB-TERR-02
FABRICATION DRAWING

DRAWN BY:	EY
DATE:	6/23/17
REV:	0
SHEET:	202



1 SIDE ELEVATION
 203 SCALE: 3"=1'-0"

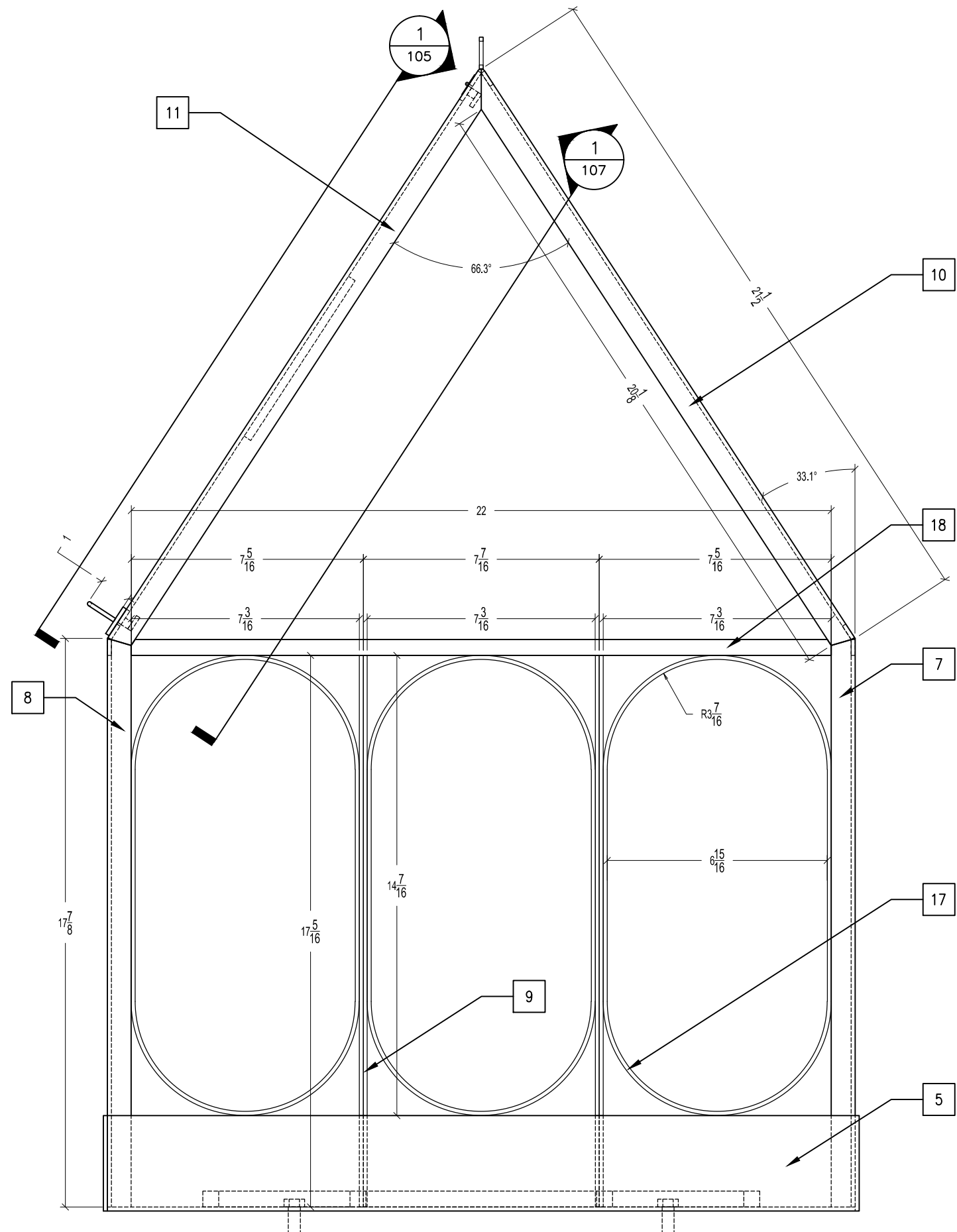
PART QUANTITIES		
PART #	QTY	MATERIAL
1	2	1/2" SQ BAR
2	2	1/2" SQ BAR
3	2	1/2" SQ BAR
4	2	1/2" SQ BAR
5	2	3X1/8" FLATBAR
6	2	3X1/8" FLATBAR
7	2	3/4X3/4X1/8" ANGLE
8	2	3/4X3/4X1/8" ANGLE
9	12	1/8" RONDBAR
10	2	3/4X3/4X1/8" ANGLE
11	2	3/4X3/4X1/8" ANGLE
12	6	1/8" RONDBAR
13	2	1/2X1/8" FLATBAR
14	2	1/2X1/8" FLATBAR
15	6	1/2X1/8" FLATBAR
16	6	1/8" RONDBAR
17	6	1/8" RONDBAR
18	2	1/2X1/8" FLATBAR
19	1	1X1/8" FLATBAR
20	1	1/8" RONDBAR
21	6	1/8" RONDBAR
22	1	23-1/2X29-3/4X1/8" PLATE
23	4	1/8" SQ BAR
24	2	1/2X1/8" FLATBAR



Ed Yother
 Drafting & Design
 201 Cumberland Ave
 West Lafayette, IN 47906

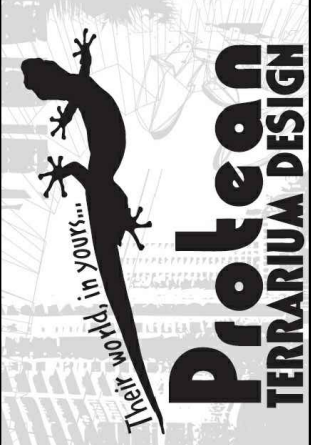
GARDEN STATE PLAZA TERRARIUMS
 CTR-TAB-TERR-02
 FABRICATION DRAWING

DRAWN BY:	EY
DATE:	6/23/17
REV:	0
SHEET:	203



1
204
END ELEVATION
 SCALE: 3"=1'-0"

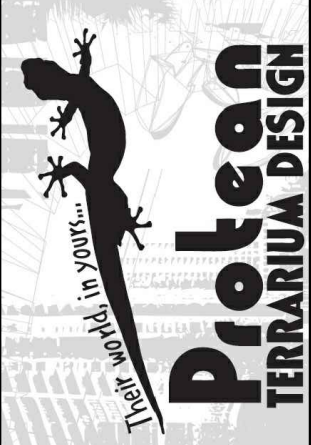
PART QUANTITIES		
PART #	QTY	MATERIAL
1	2	1/2" SQ BAR
2	2	1/2" SQ BAR
3	2	1/2" SQ BAR
4	2	1/2" SQ BAR
5	2	3X1/8" FLATBAR
6	2	3X1/8" FLATBAR
7	2	3/4X3/4X1/8" ANGLE
8	2	3/4X3/4X1/8" ANGLE
9	12	1/8" ROUND BAR
10	2	3/4X3/4X1/8" ANGLE
11	2	3/4X3/4X1/8" ANGLE
12	6	1/8" ROUND BAR
13	2	1/2X1/8" FLATBAR
14	2	1/2X1/8" FLATBAR
15	6	1/2X1/8" FLATBAR
16	6	1/8" ROUND BAR
17	6	1/8" ROUND BAR
18	2	1/2X1/8" FLATBAR
19	1	1X1/8" FLATBAR
20	1	1/8" ROUND BAR
21	6	1/8" ROUND BAR
22	1	23-1/2X29-3/4X1/8" PLATE
23	4	1/8" SQ BAR
24	2	1/2X1/8" FLATBAR



Ed Yother
 Drafting & Design
 201 Cumberland Ave
 West Lafayette, IN 47906

GARDEN STATE PLAZA TERRARIUMS
 CTR-TAB-TERR-02
FABRICATION DRAWING

DRAWN BY:	EY
DATE:	6/23/17
REV:	0
SHEET:	204

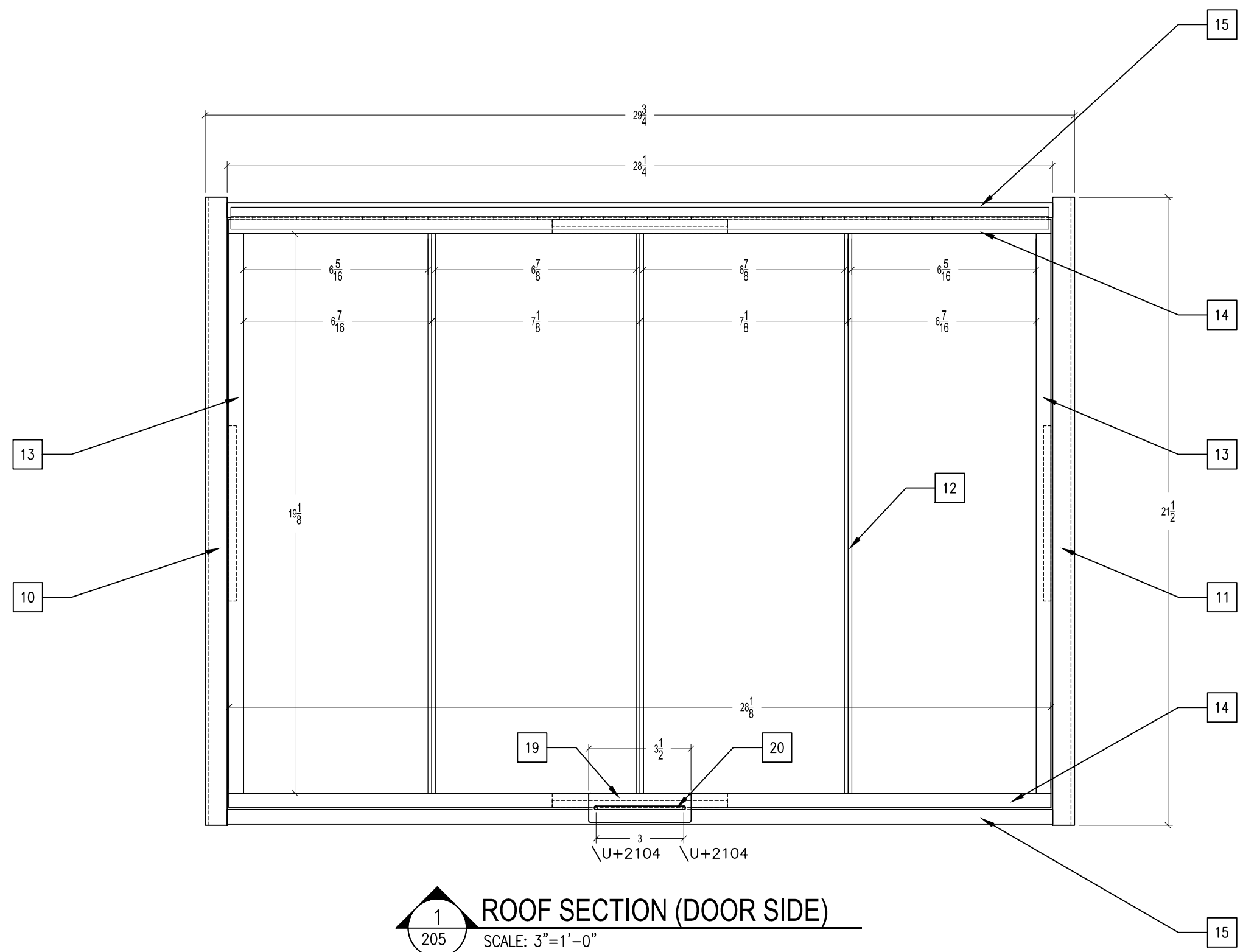


Ed Yother
 Drafting & Design
 201 Cumberland Ave
 West Lafayette, IN 47906

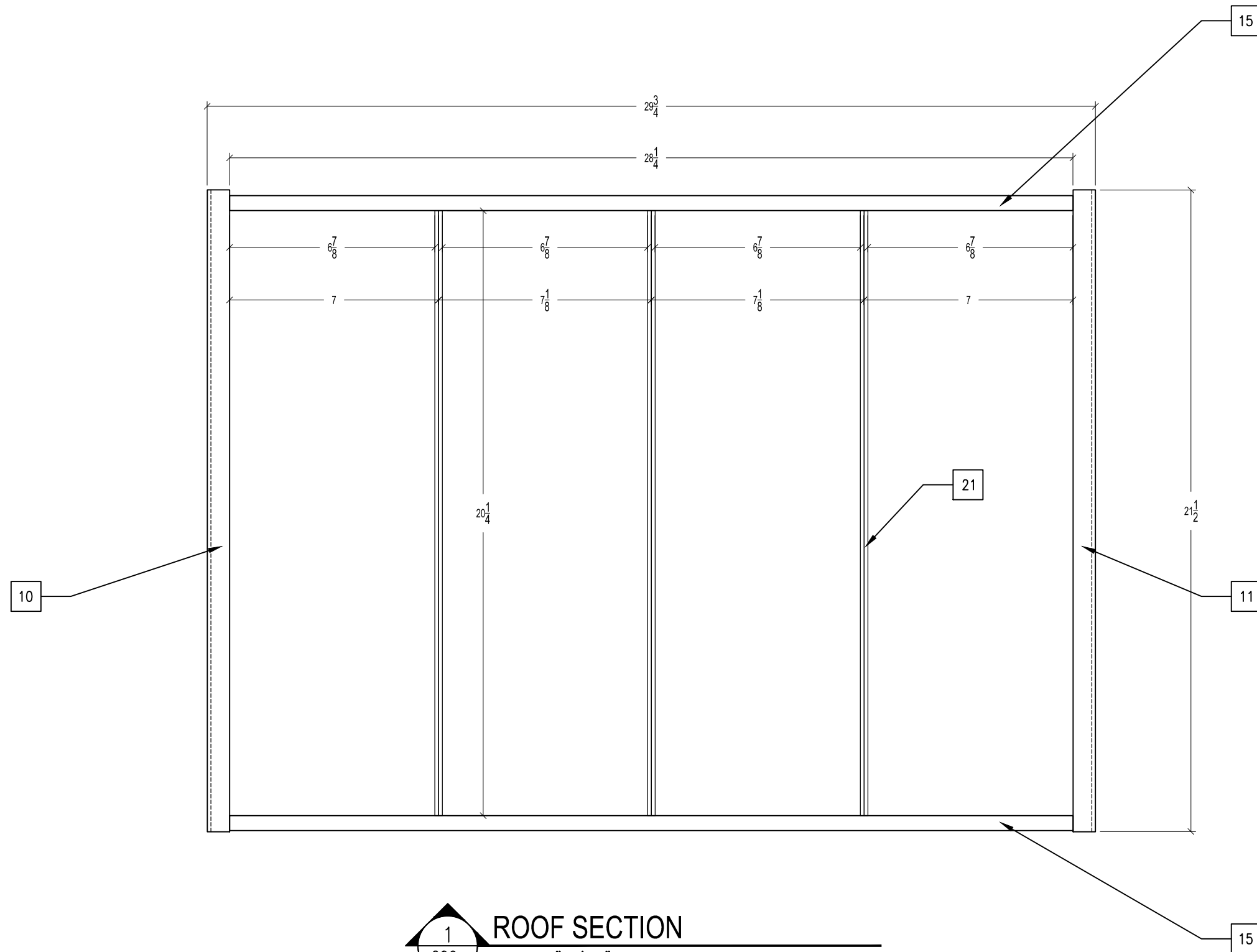
GARDEN STATE PLAZA TERRARIUMS
 CTR-TAB-TERR-02
 FABRICATION DRAWING

DRAWN BY: EY
 DATE: 6/23/17
 REV: 0
 SHEET: 205

PART QUANTITIES		
PART #	QTY	MATERIAL
1	2	1/2" SQ BAR
2	2	1/2" SQ BAR
3	2	1/2" SQ BAR
4	2	1/2" SQ BAR
5	2	3X1/8" FLATBAR
6	2	3X1/8" FLATBAR
7	2	3/4X3/4X1/8" ANGLE
8	2	3/4X3/4X1/8" ANGLE
9	12	1/8" ROUND BAR
10	2	3/4X3/4X1/8" ANGLE
11	2	3/4X3/4X1/8" ANGLE
12	6	1/8" ROUND BAR
13	2	1/2X1/8" FLATBAR
14	2	1/2X1/8" FLATBAR
15	6	1/2X1/8" FLATBAR
16	6	1/8" ROUND BAR
17	6	1/8" ROUND BAR
18	2	1/2X1/8" FLATBAR
19	1	1X1/8" FLATBAR
20	1	1/8" ROUND BAR
21	6	1/8" ROUND BAR
22	1	23-1/2X29-3/4X1/8" PLATE
23	4	1/8" SQ BAR
24	2	1/2X1/8" FLATBAR

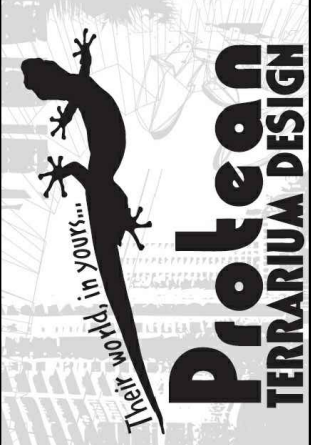


1
 205
ROOF SECTION (DOOR SIDE)
 SCALE: 3"=1'-0"



1
206
ROOF SECTION
SCALE: 3"=1'-0"

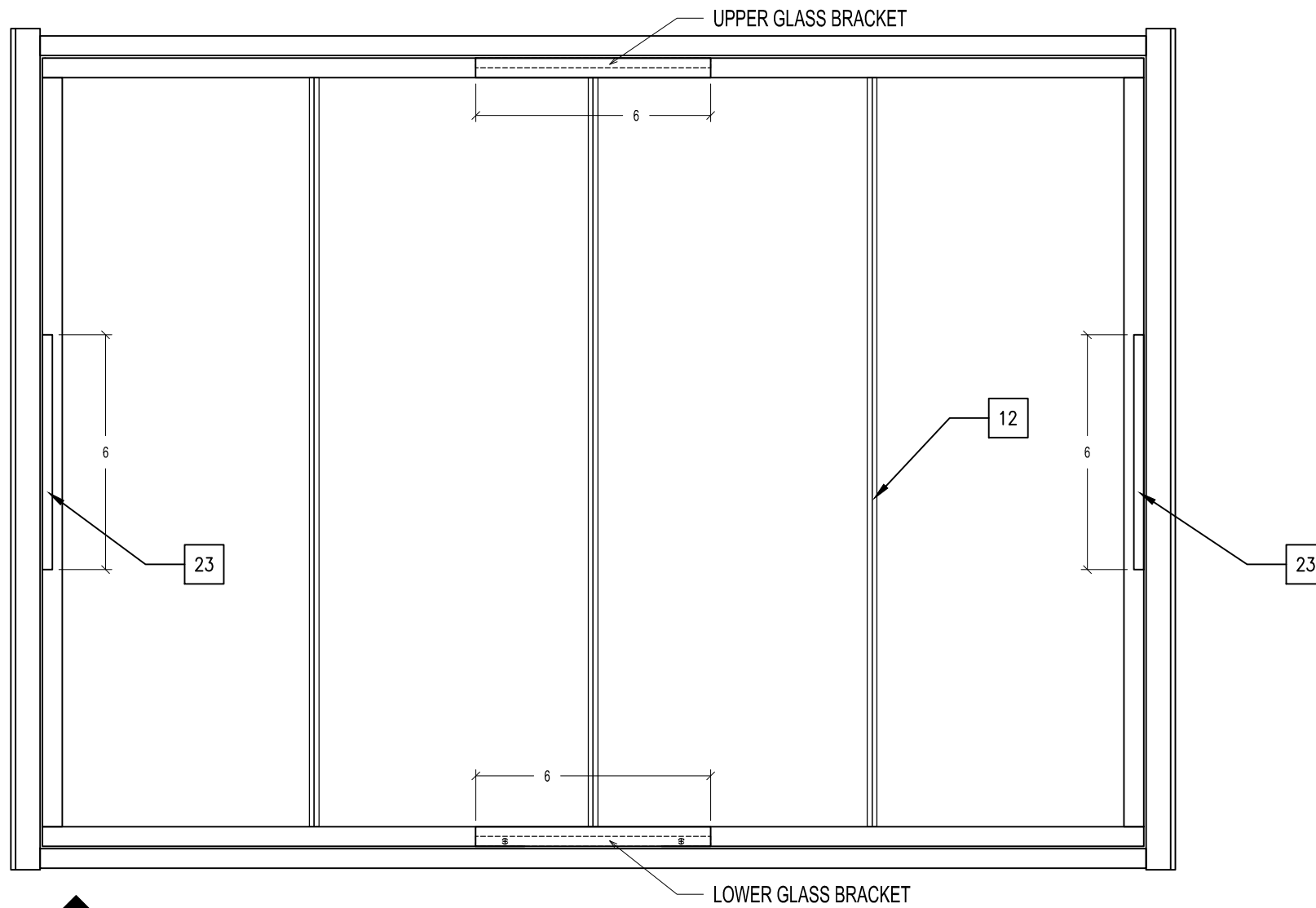
PART QUANTITIES		
PART #	QTY	MATERIAL
1	2	1/2" SQ BAR
2	2	1/2" SQ BAR
3	2	1/2" SQ BAR
4	2	1/2" SQ BAR
5	2	3X1/8" FLATBAR
6	2	3X1/8" FLATBAR
7	2	3/4X3/4X1/8" ANGLE
8	2	3/4X3/4X1/8" ANGLE
9	12	1/8" ROUND BAR
10	2	3/4X3/4X1/8" ANGLE
11	2	3/4X3/4X1/8" ANGLE
12	6	1/8" ROUND BAR
13	2	1/2X1/8" FLATBAR
14	2	1/2X1/8" FLATBAR
15	6	1/2X1/8" FLATBAR
16	6	1/8" ROUND BAR
17	6	1/8" ROUND BAR
18	2	1/2X1/8" FLATBAR
19	1	1X1/8" FLATBAR
20	1	1/8" ROUND BAR
21	6	1/8" ROUND BAR
22	1	23-1/2X29-3/4X1/8" PLATE
23	4	1/8" SQ BAR
24	2	1/2X1/8" FLATBAR



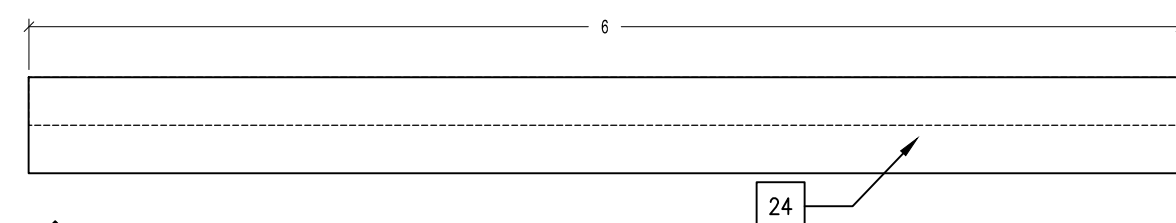
Ed Yother
Drafting & Design
201 Cumberland Ave
West Lafayette, IN 47906

GARDEN STATE PLAZA TERRARIUMS
CTR-TAB-TERR-02
FABRICATION DRAWING

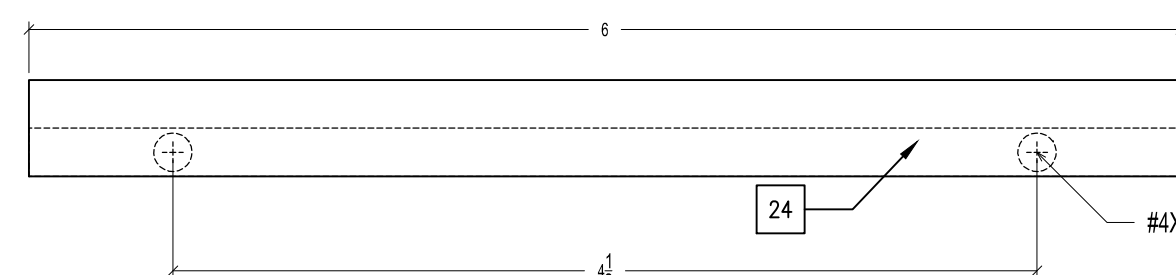
DRAWN BY:	EY
DATE:	6/23/17
REV:	0
SHEET:	206



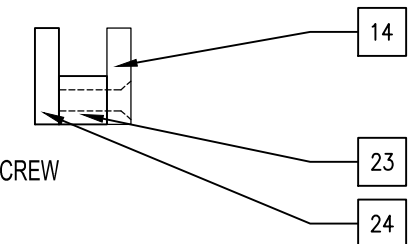
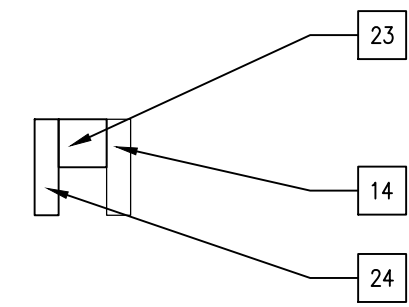
1 DOOR DETAILS
207 SCALE: 3"=1'-0"



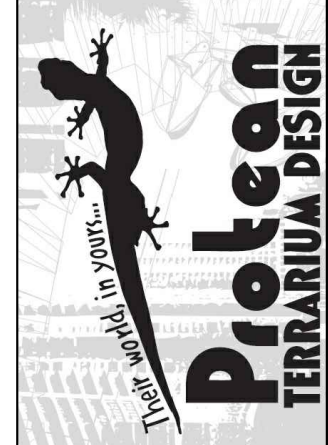
2 UPPER GLASS BRACKET
207 SCALE: 1:1



3 LOWER GLASS BRACKET
207 SCALE: 1:1



PART QUANTITIES		
PART #	QTY	MATERIAL
1	2	1/2" SQ BAR
2	2	1/2" SQ BAR
3	2	1/2" SQ BAR
4	2	1/2" SQ BAR
5	2	3X1/8" FLATBAR
6	2	3X1/8" FLATBAR
7	2	3/4X3/4X1/8" ANGLE
8	2	3/4X3/4X1/8" ANGLE
9	12	1/8" ROUND BAR
10	2	3/4X3/4X1/8" ANGLE
11	2	3/4X3/4X1/8" ANGLE
12	6	1/8" ROUND BAR
13	2	1/2X1/8" FLATBAR
14	2	1/2X1/8" FLATBAR
15	6	1/2X1/8" FLATBAR
16	6	1/8" ROUND BAR
17	6	1/8" ROUND BAR
18	2	1/2X1/8" FLATBAR
19	1	1X1/8" FLATBAR
20	1	1/8" ROUND BAR
21	6	1/8" ROUND BAR
22	1	23-1/2X29-3/4X1/8" PLATE
23	4	1/8" SQ BAR
24	2	1/2X1/8" FLATBAR



Ed Yother
Drafting & Design
201 Cumberland Ave
West Lafayette, IN 47906

GARDEN STATE PLAZA TERRARIUMS
CTR-TAB-TERR-02
FABRICATION DRAWING

DRAWN BY:	EY
DATE:	6/23/17
REV:	0
SHEET:	207

PART #	MATERIAL	QTY	LENGTH	300	301	302	303	304	305	306	307	308	309	310	TOTAL
1	1-1/2X1/8" FLATBAR	64	11.5	6	6	6	6	8	6	6	8	6	6		64
2	1-1/2X1/8" FLATBAR	8	19.5											8	8
3	1/2X1/8" FLATBAR	4	35.0625	1		1			1	1					4
4	1/2X1/8" FLATBAR	4	84	1		1			1	1					4
5	1/2X1/8" FLATBAR	4	91	1		1			1	1					4
6	4X1/8" FLATBAR	4	35.0625	1		1			1	1					4
7	4X1/8" FLATBAR	4	84	1		1			1	1					4
8	4X1/8" FLATBAR	4	91	1		1			1	1					4
9	1/8" PLATE	4	***	1		1			1	1					4
10	1/2X1/8" FLATBAR	2	33.375		1		1								2
11	1/2X1/8" FLATBAR	2	80		1		1								2
12	1/2X1/8" FLATBAR	2	86.6875		1		1								2
13	4X1/8" FLATBAR	2	33.375		1		1								2
14	4X1/8" FLATBAR	2	80		1		1								2
15	4X1/8" FLATBAR	2	86.6875		1		1								2
16	1/8" PLATE	2	***		1		1								2
17	1/2X1/8" FLATBAR	2	36.75					2							2
18	1/2X1/8" FLATBAR	2	25.75					2							2
19	4X1/8" FLATBAR	2	36.75					2							2
20	4X1/8" FLATBAR	2	25.75					2							2
21	1/8" PLATE	1	***					1							1
22	1/2X1/8" FLATBAR	1	72.1875								1				1
23	1/2X1/8" FLATBAR	1	91								1				1
24	1/2X1/8" FLATBAR	1	24								1				1
25	1/2X1/8" FLATBAR	1	24.75								1				1
26	4X1/8" FLATBAR	1	72.1875								1				1
27	4X1/8" FLATBAR	1	91								1				1
28	4X1/8" FLATBAR	1	24								1				1
29	4X1/8" FLATBAR	1	24.75								1				1
30	1/8" PLATE	1	***								1				1
31	1/2X1/8" FLATBAR	1	67.5625									1			1
32	1/2X1/8" FLATBAR	1	59.8125									1			1
33	1/2X1/8" FLATBAR	1	63.1875									1			1
34	4X1/8" FLATBAR	1	67.5625									1			1
35	4X1/8" FLATBAR	1	59.8125									1			1
36	4X1/8" FLATBAR	1	63.1875									1			1
37	1/8" PLATE	1	***									1			1

38	1/2X1/8" FLATBAR	1	29.1875												1	1
39	1/2X1/8" FLATBAR	1	25.625												1	1
40	1/2X1/8" FLATBAR	1	38.8125												1	1
41	4X1/8" FLATBAR	1	29.1875												1	1
42	4X1/8" FLATBAR	1	25.625												1	1
43	4X1/8" FLATBAR	1	38.8125												1	1
44	1/8" PLATE	1	***												1	1
45	1/2X1/8" FLATBAR	1	19.375												1	1
46	1/2X1/8" FLATBAR	1	39.5												1	1
47	1/2X1/8" FLATBAR	1	39												1	1
48	1/2X1/8" FLATBAR	1	44.125												1	1
49	4X1/8" FLATBAR	1	19.875												1	1
50	4X1/8" FLATBAR	1	39.5												1	1
51	4X1/8" FLATBAR	1	39												1	1
52	4X1/8" FLATBAR	1	44.125												1	1
53	1/8" PLATE	1	***												1	1



Ed Yother
 Drafting & Design
 201 Cumberland Ave
 West Lafayette, IN 47906

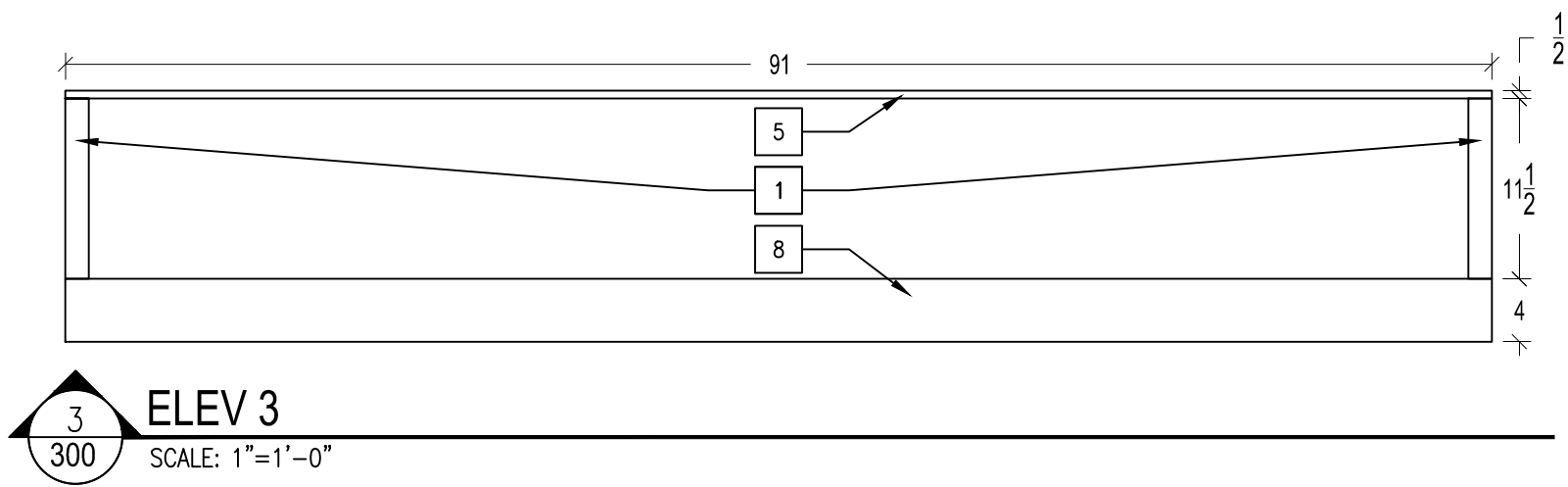
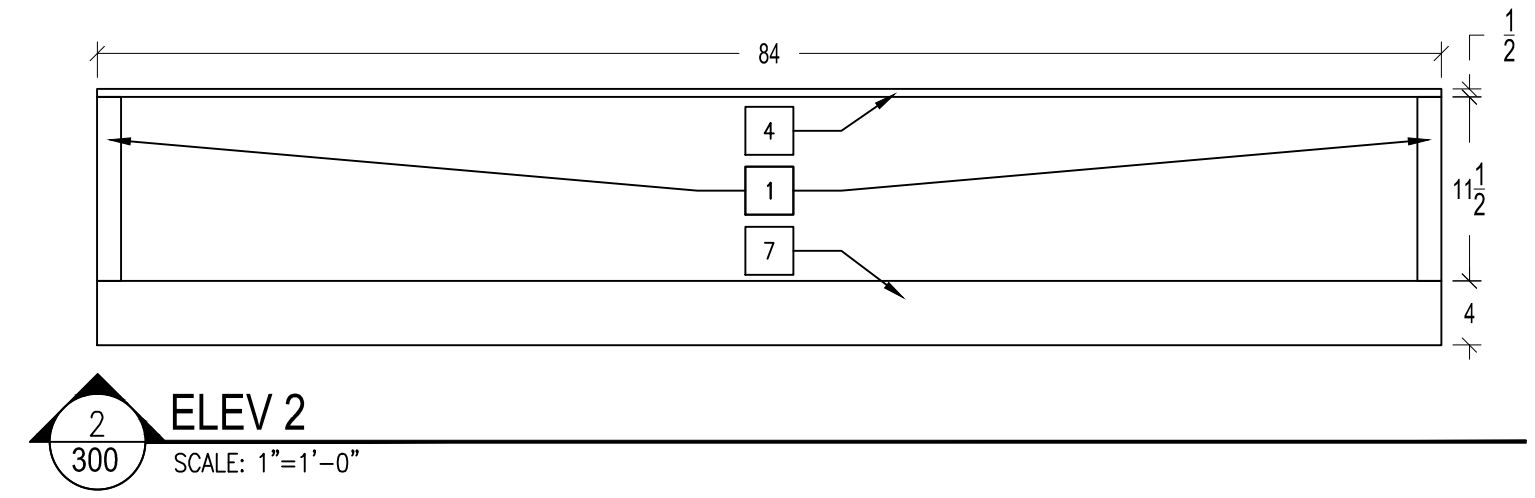
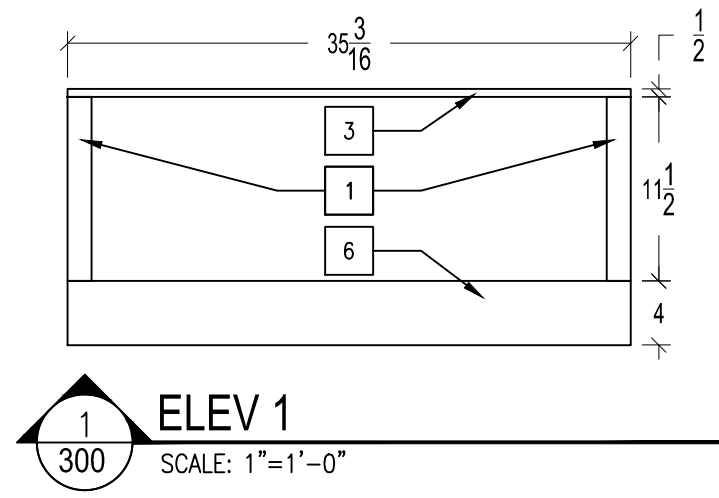
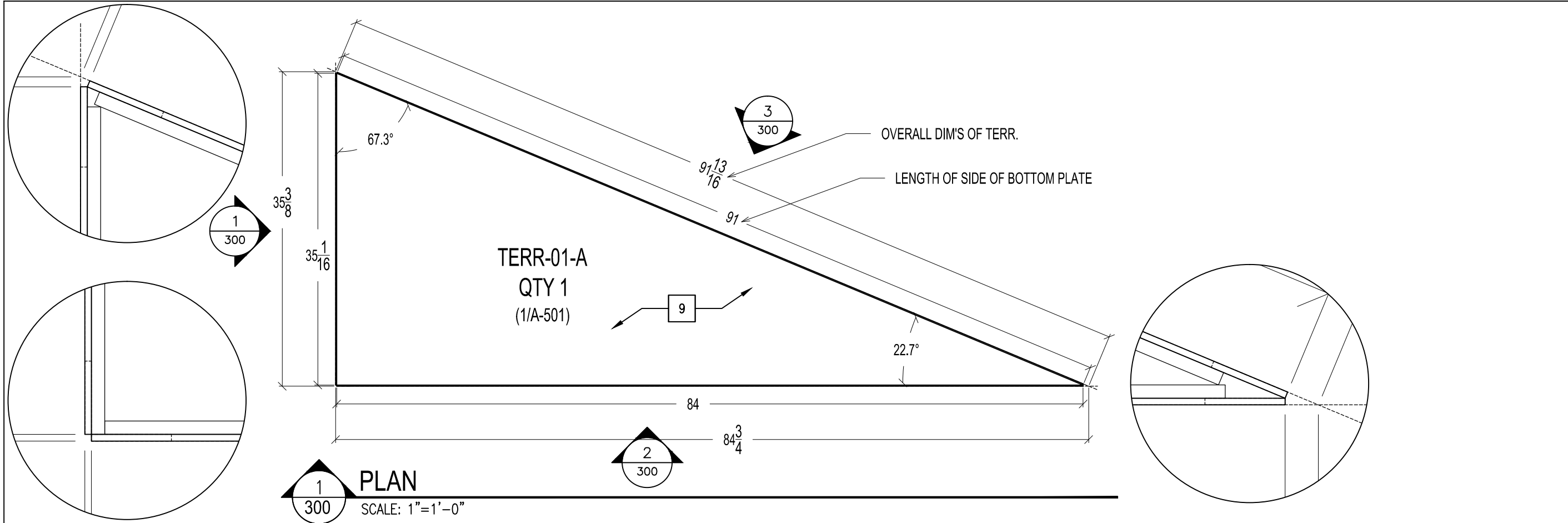
OPEN TERRARIUM CUT LIST

DRAWN BY: EY
 DATE: 6/19/17
 REV: 0
 SHEET: 030

Ed Yother
 Drafting & Design
 201 Cumberland Ave
 West Lafayette, IN 47906

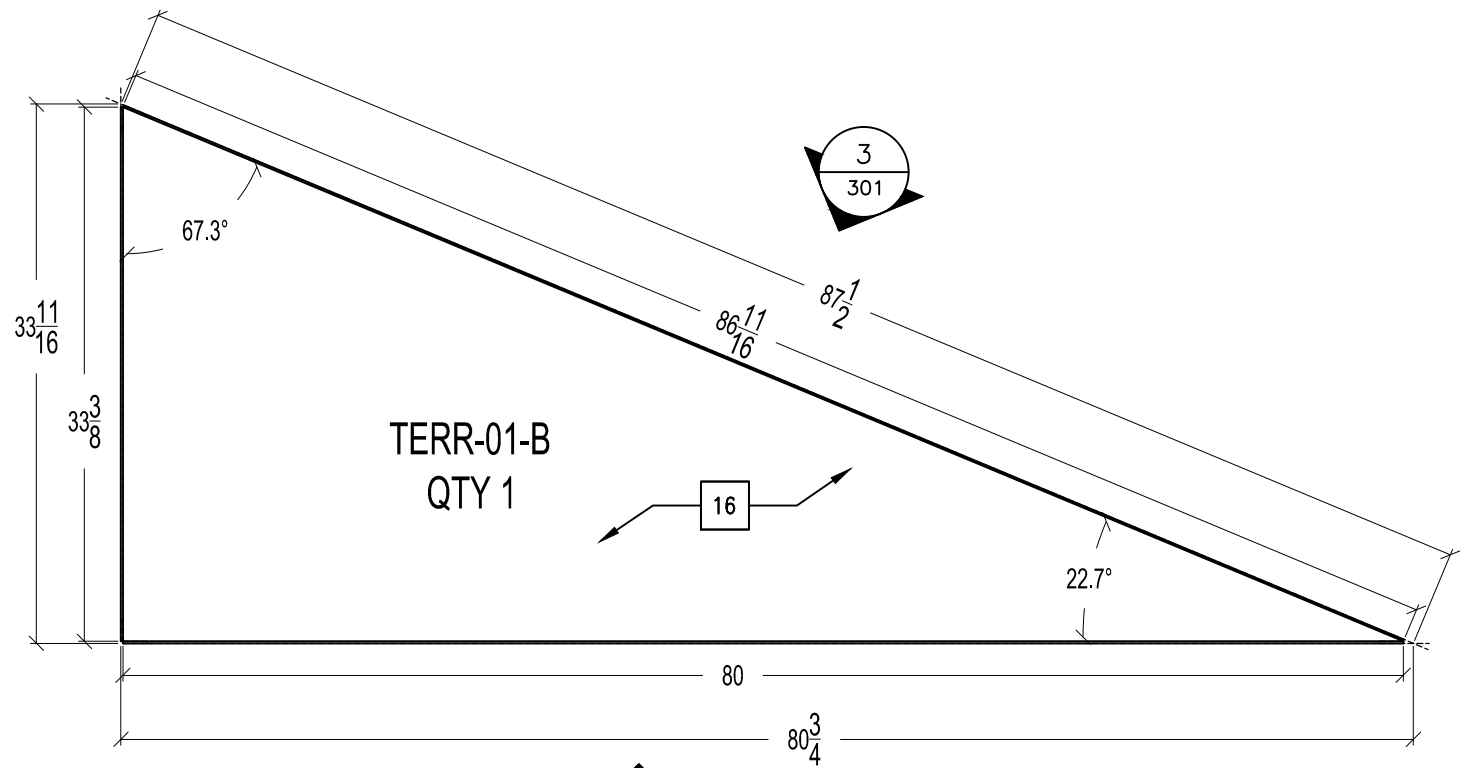
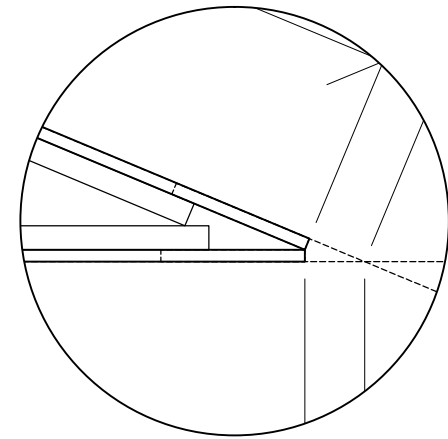
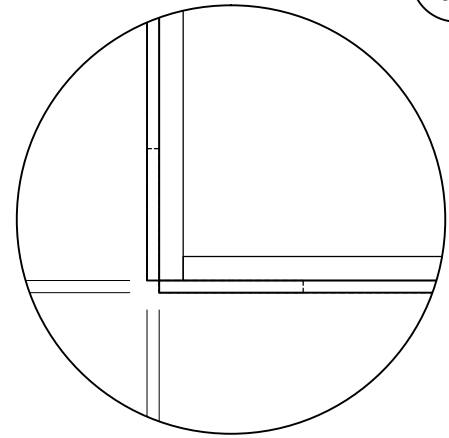
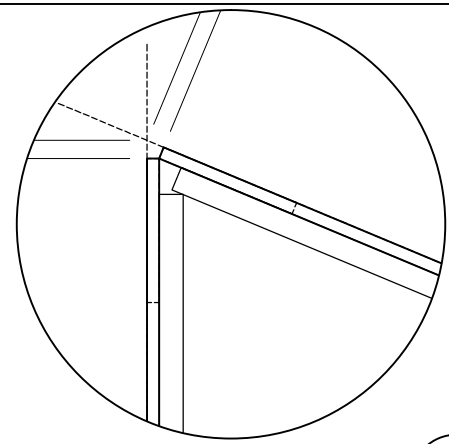
**TERR-01-A FABRICATION
 DRAWING**

DRAWN BY:	EY
DATE:	6/19/17
REV:	0
SHEET:	300

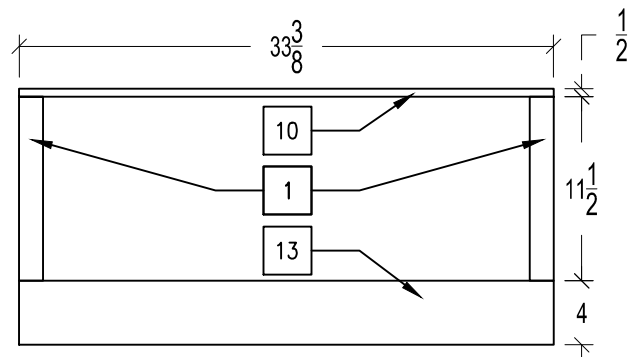


Ed Yother
 Drafting & Design
 201 Cumberland Ave
 West Lafayette, IN 47906

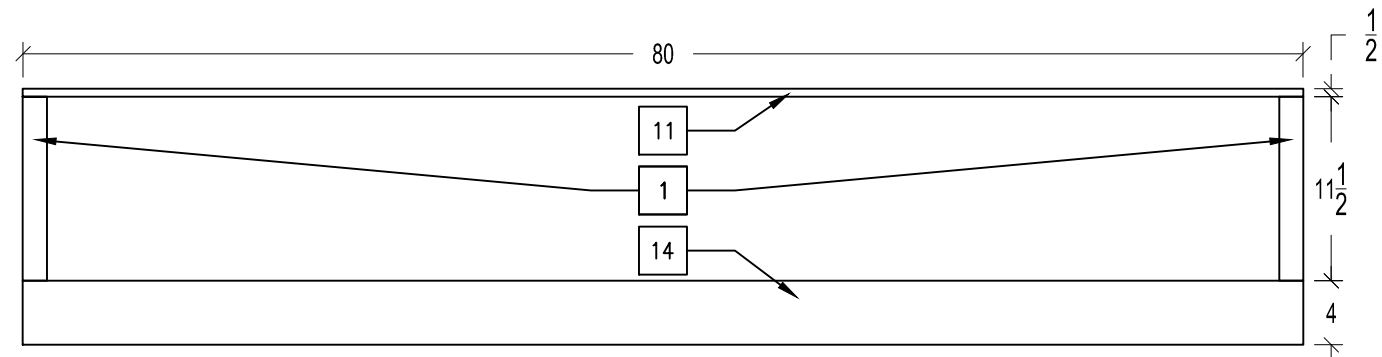
TERR-01-B FABRICATION DRAWING



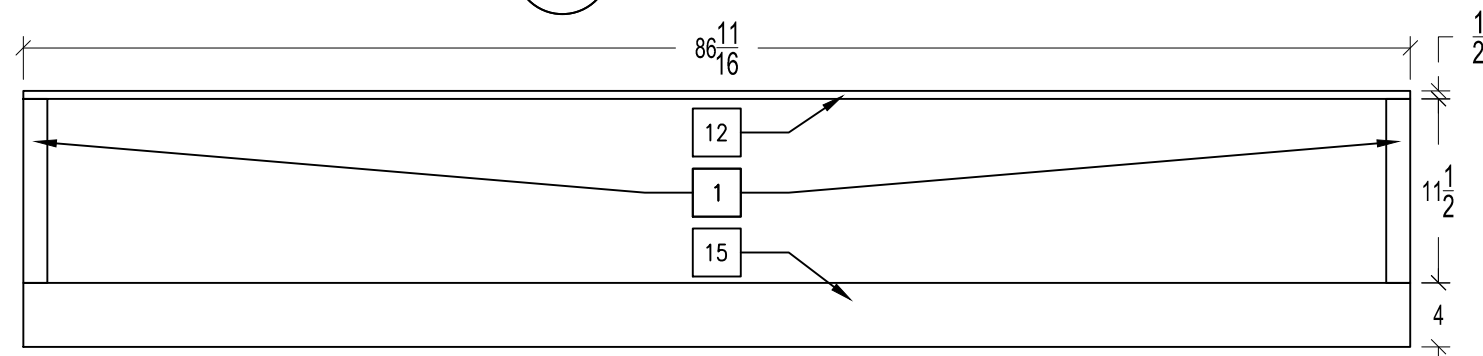
 **1**
 301 **PLAN**
 SCALE: 1"=1'-0"



 **1**
 301 **ELEV 1**
 SCALE: 1"=1'-0"



 **2**
 301 **ELEV 2**
 SCALE: 1"=1'-0"



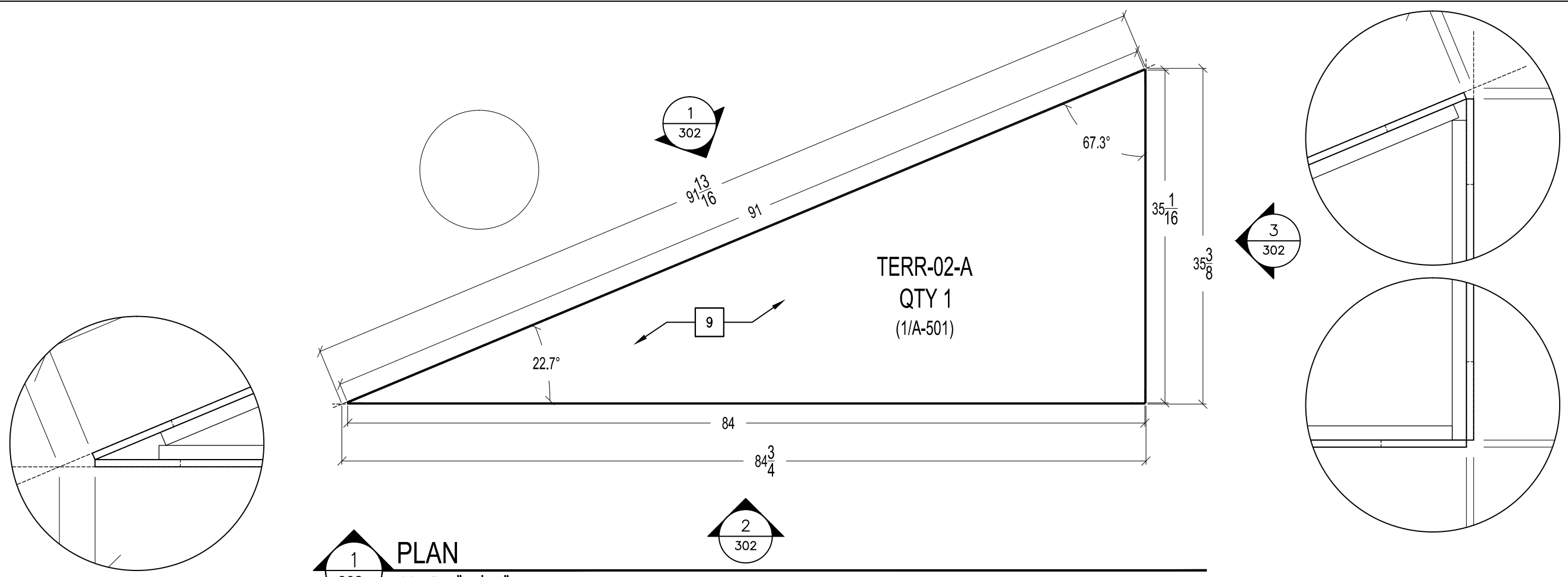
 **3**
 301 **ELEV 3**
 SCALE: 1"=1'-0"

DRAWN BY:	EY
DATE:	6/19/17
REV:	1
SHEET:	301

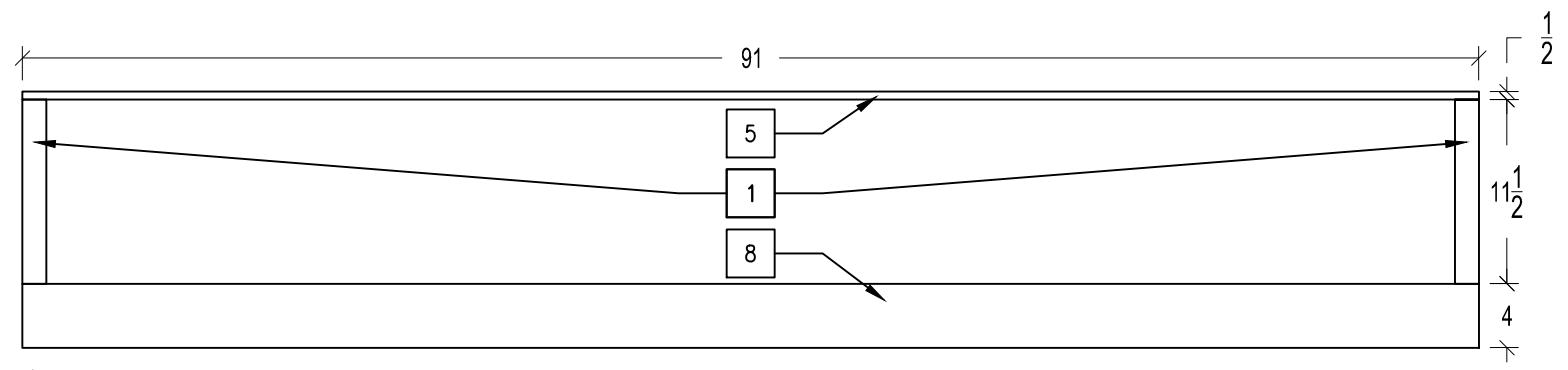
Ed Yother
 Drafting & Design
 201 Cumberland Ave
 West Lafayette, IN 47906

TERR-02-A FABRICATION DRAWING

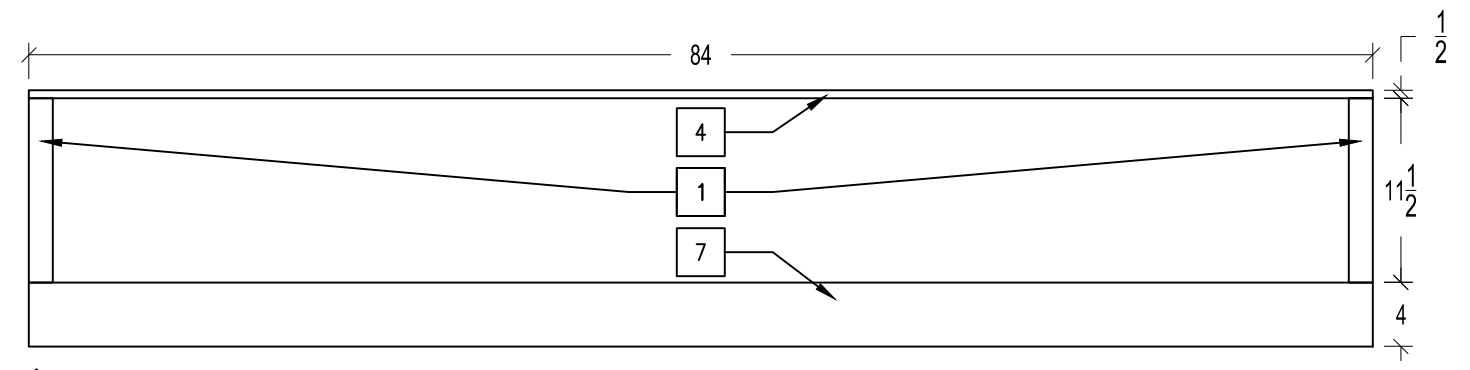
DRAWN BY:	EY
DATE:	6/19/17
REV:	0
SHEET:	302



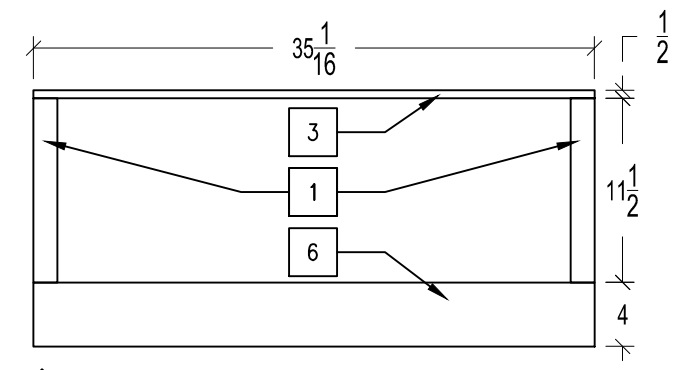
1 PLAN
 SCALE: 1"=1'-0"



1 ELEV 1
 SCALE: 1"=1'-0"



2 ELEV 2
 SCALE: 1"=1'-0"

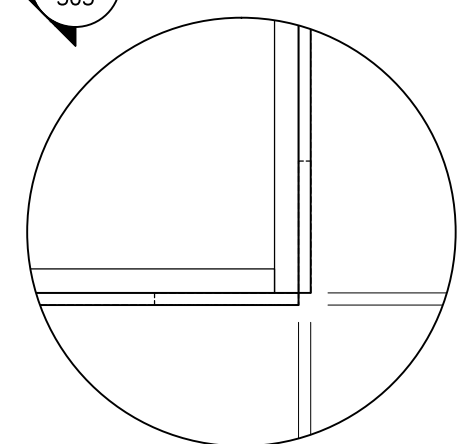
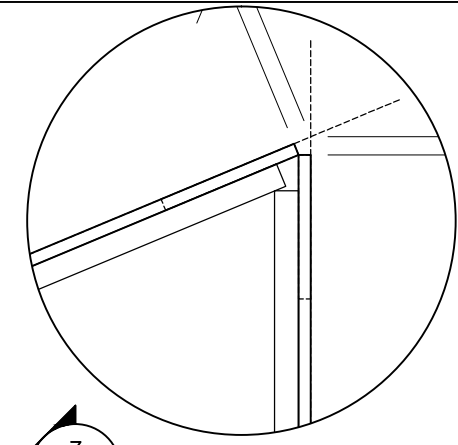
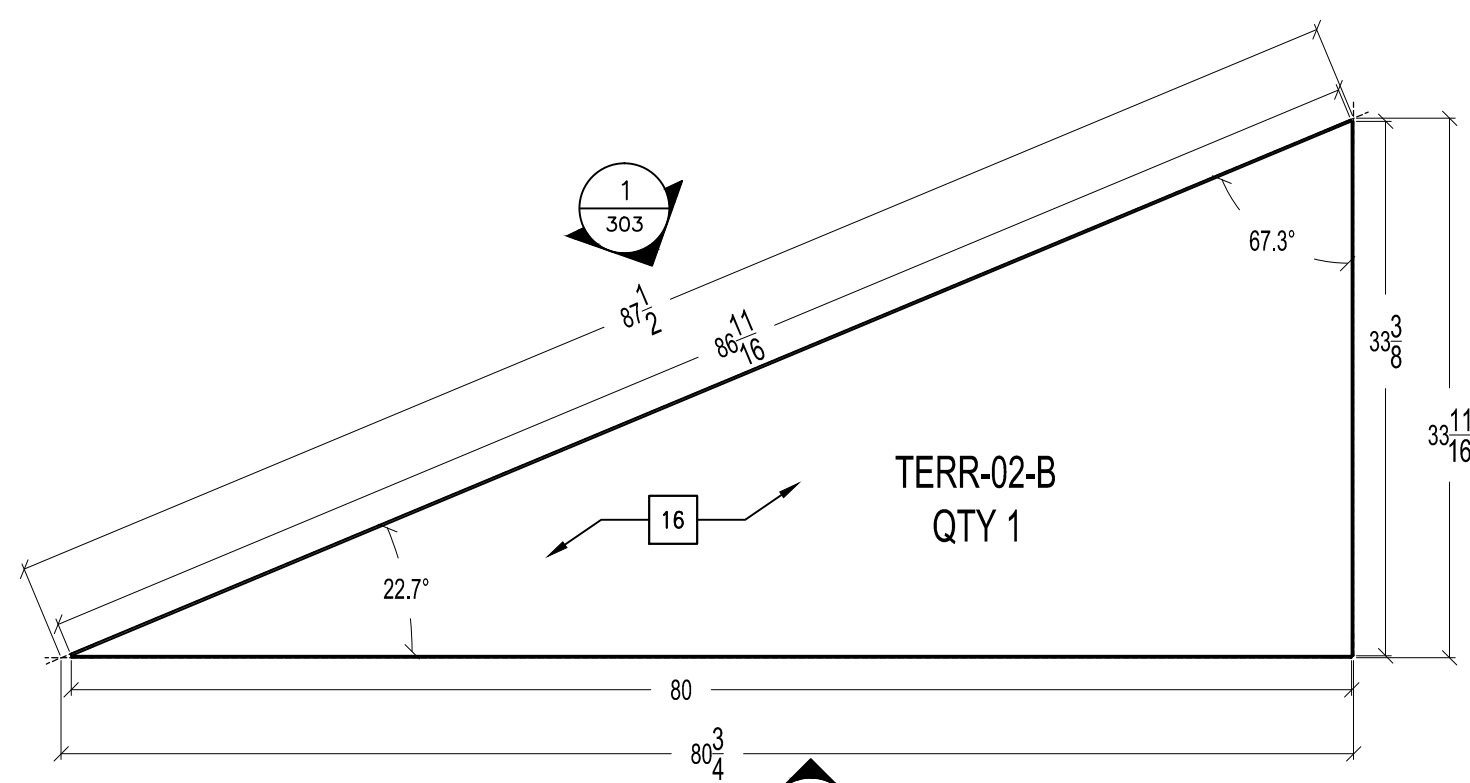
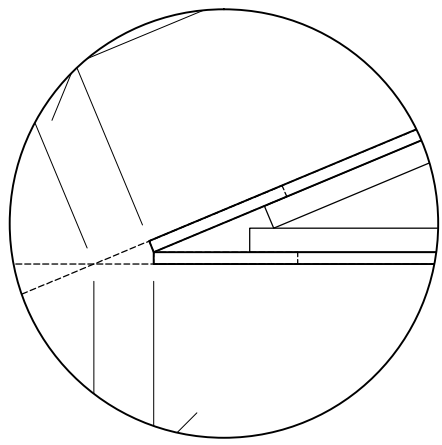


3 ELEV 3
 SCALE: 1"=1'-0"

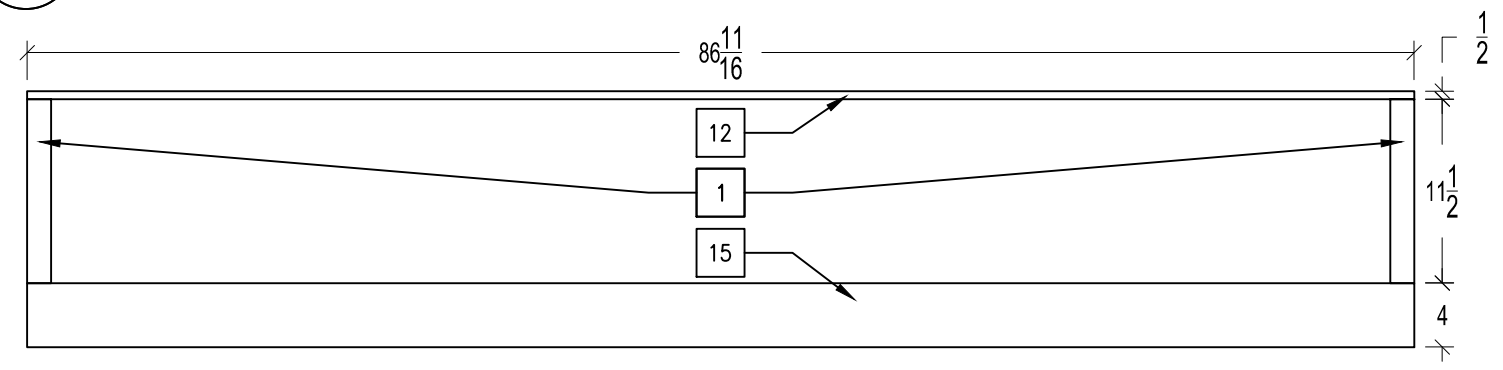
Ed Yother
 Drafting & Design
 201 Cumberland Ave
 West Lafayette, IN 47906

**TERR-02-B FABRICATION
 DRAWING**

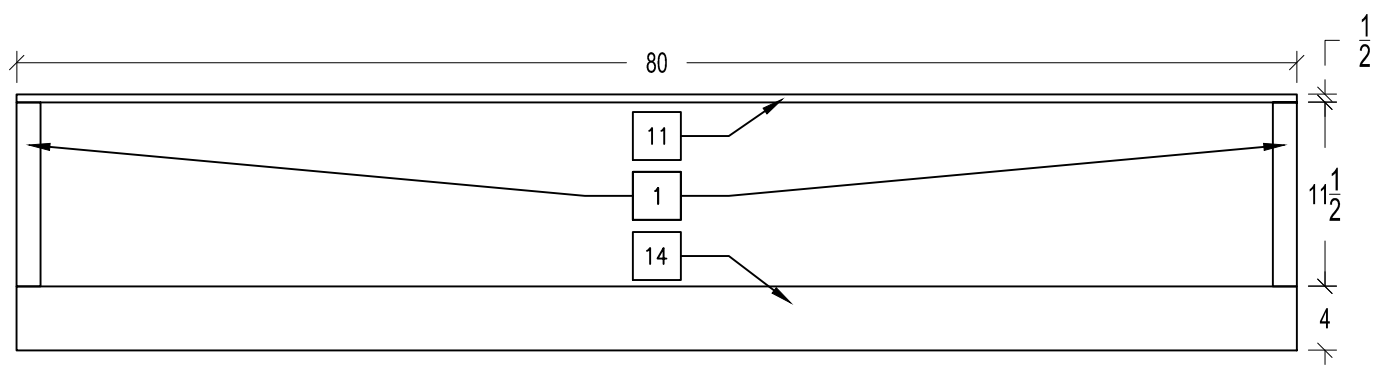
DRAWN BY:	EY
DATE:	6/19/17
REV:	0
SHEET:	303



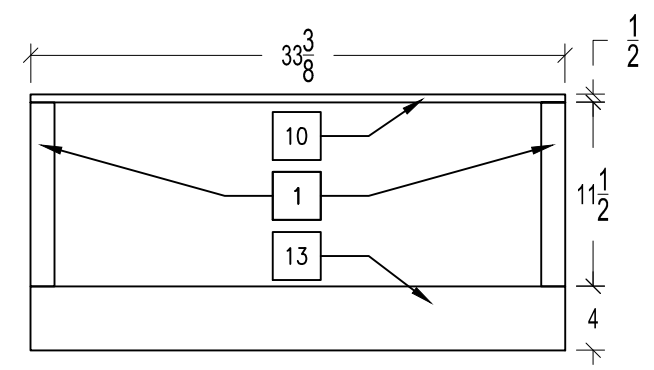
1 PLAN
 SCALE: 1"=1'-0"



1 ELEV 1
 SCALE: 1"=1'-0"



2 ELEV 2
 SCALE: 1"=1'-0"

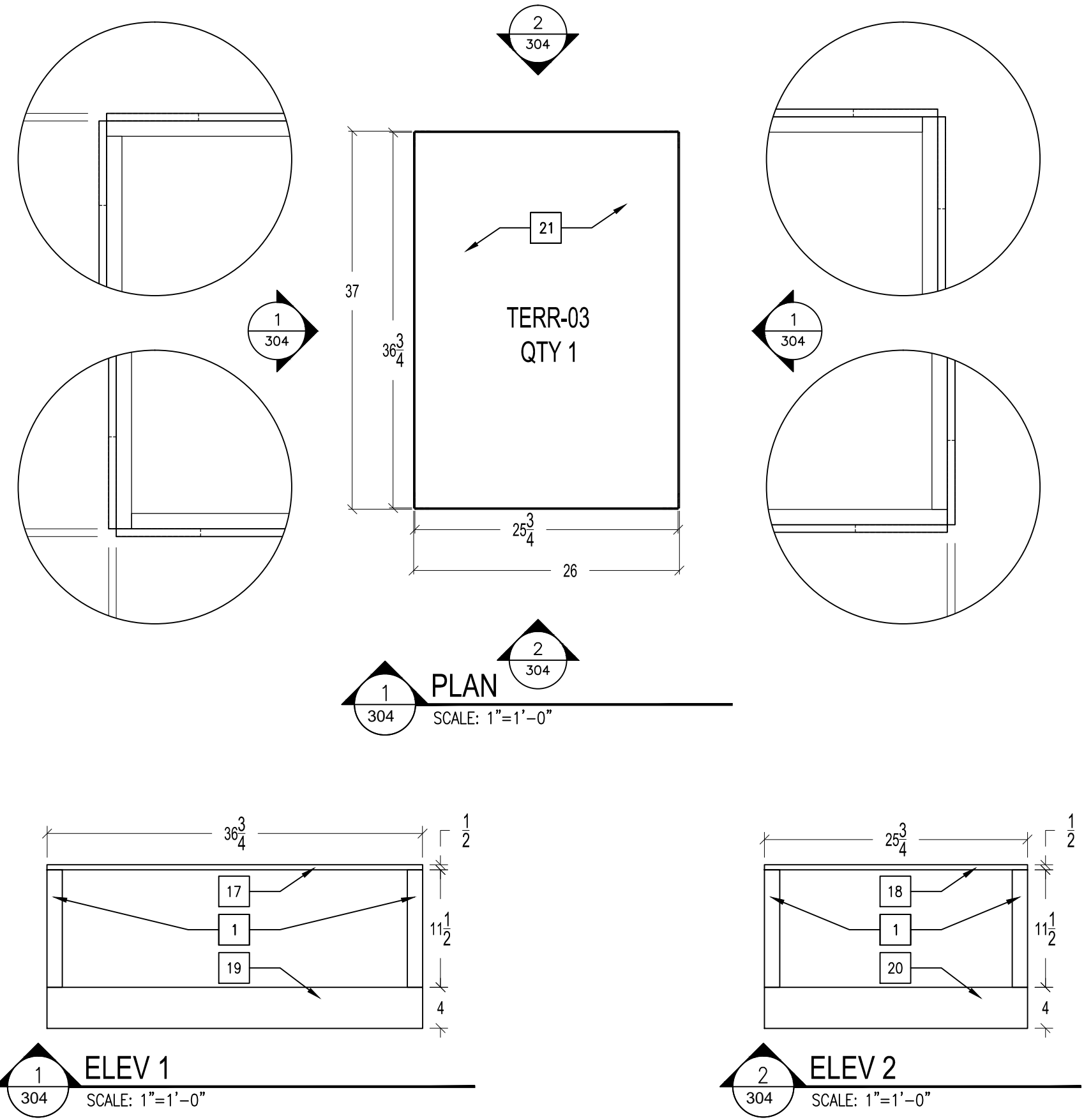


3 ELEV 3
 SCALE: 1"=1'-0"

Ed Yother
 Drafting & Design
 201 Cumberland Ave
 West Lafayette, IN 47906

**TERR-03 FABRICATION
 DRAWING**

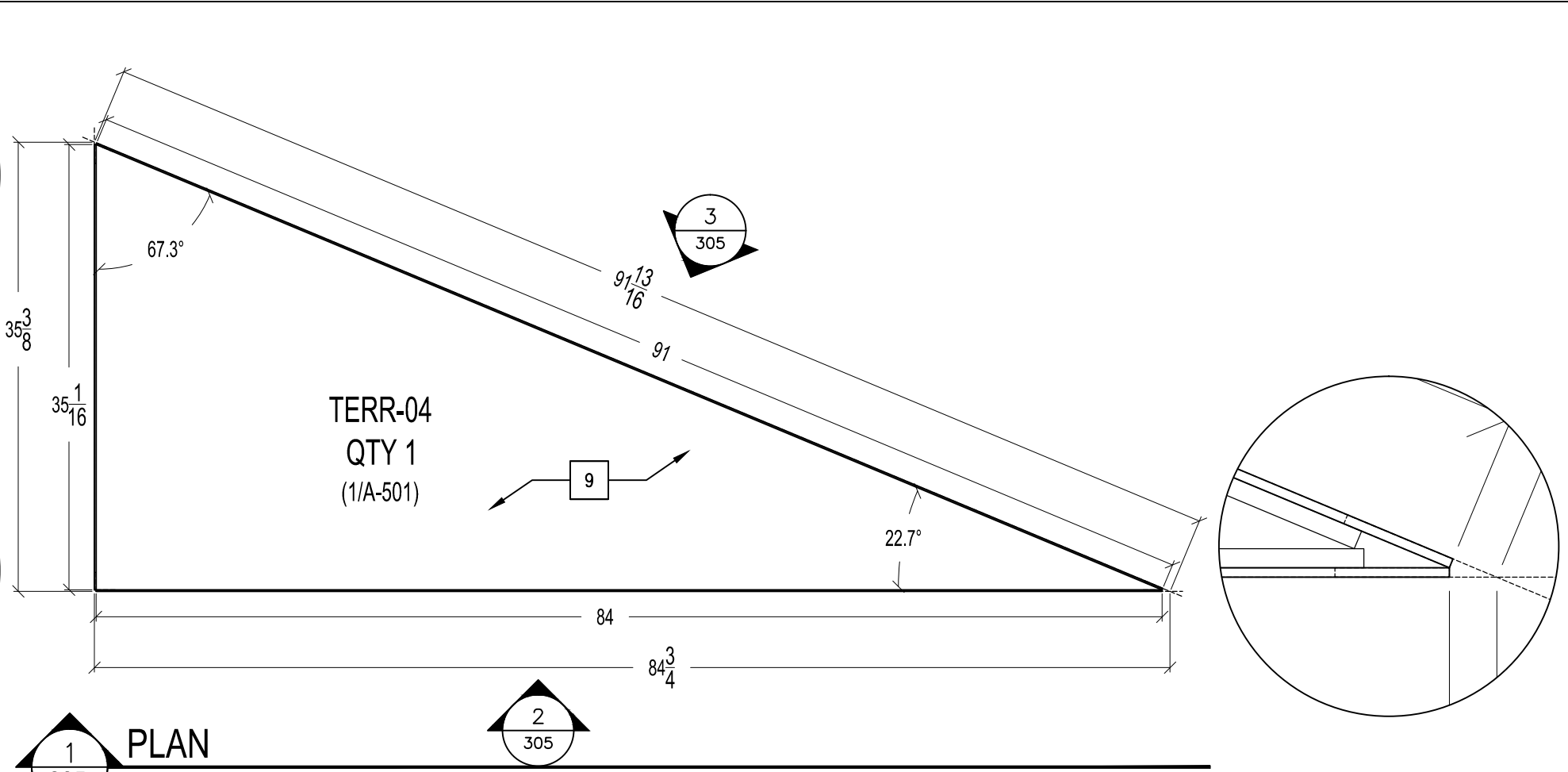
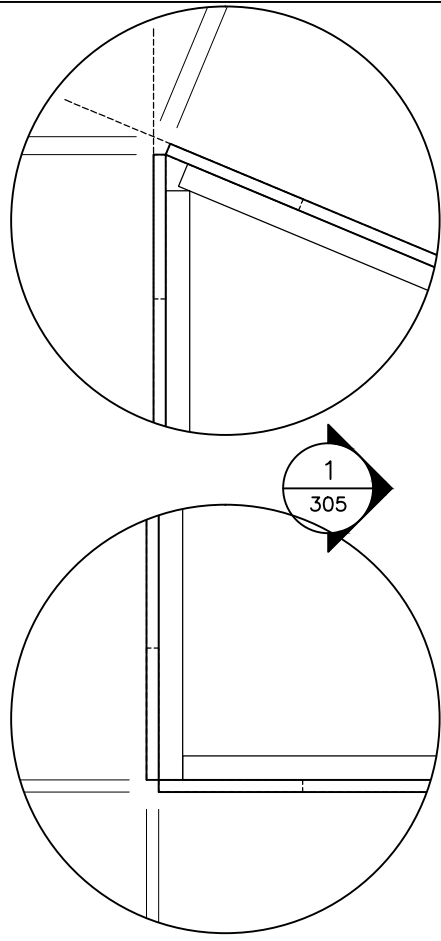
DRAWN BY:	EY
DATE:	6/19/17
REV:	0
SHEET:	304



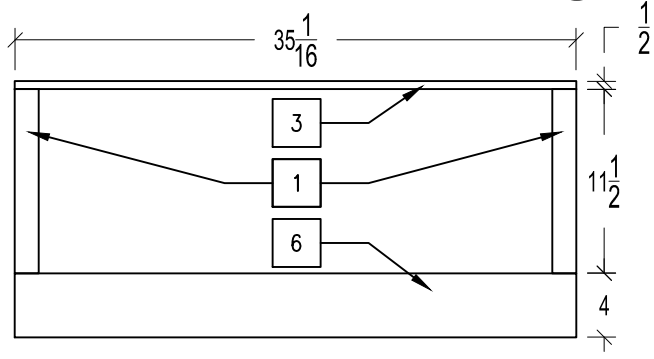
Ed Yother
 Drafting & Design
 201 Cumberland Ave
 West Lafayette, IN 47906

**TERR-04 FABRICATION
 DRAWING**

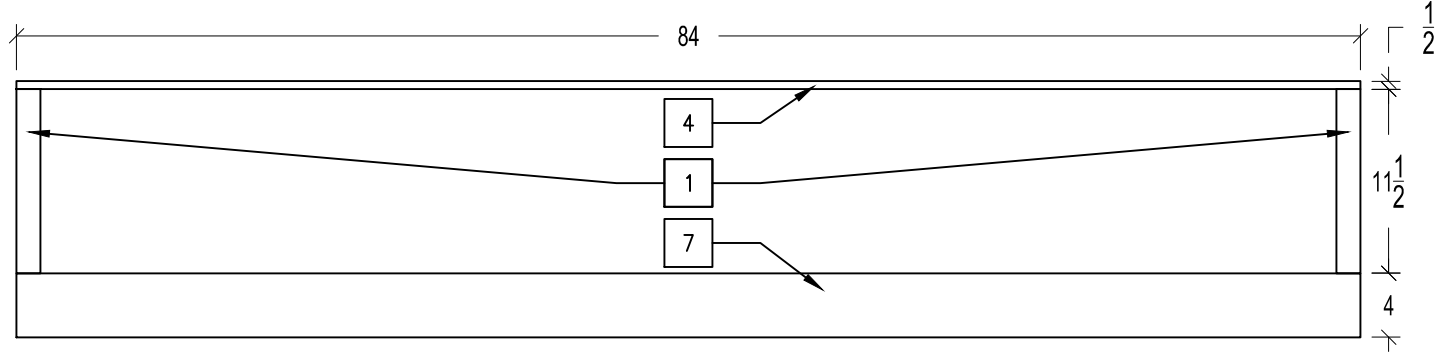
DRAWN BY:	EY
DATE:	6/19/17
REV:	0
SHEET:	305



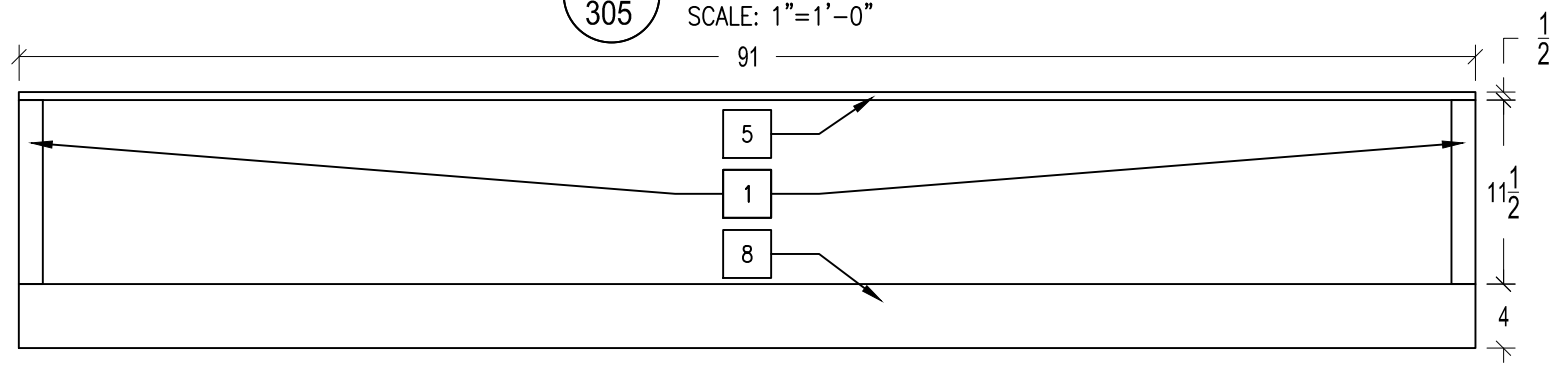
1
305
PLAN
 SCALE: 1"=1'-0"



1
305
ELEV 1
 SCALE: 1"=1'-0"



2
305
ELEV 2
 SCALE: 1"=1'-0"

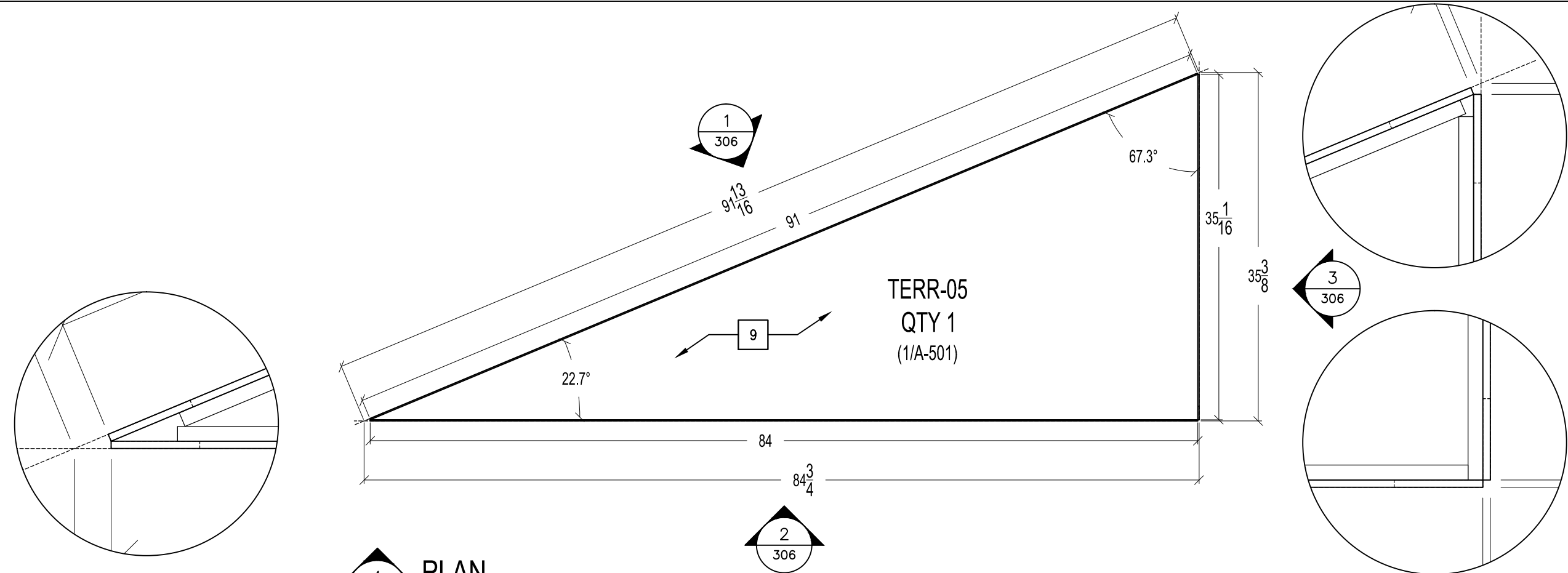


3
305
ELEV 3
 SCALE: 1"=1'-0"

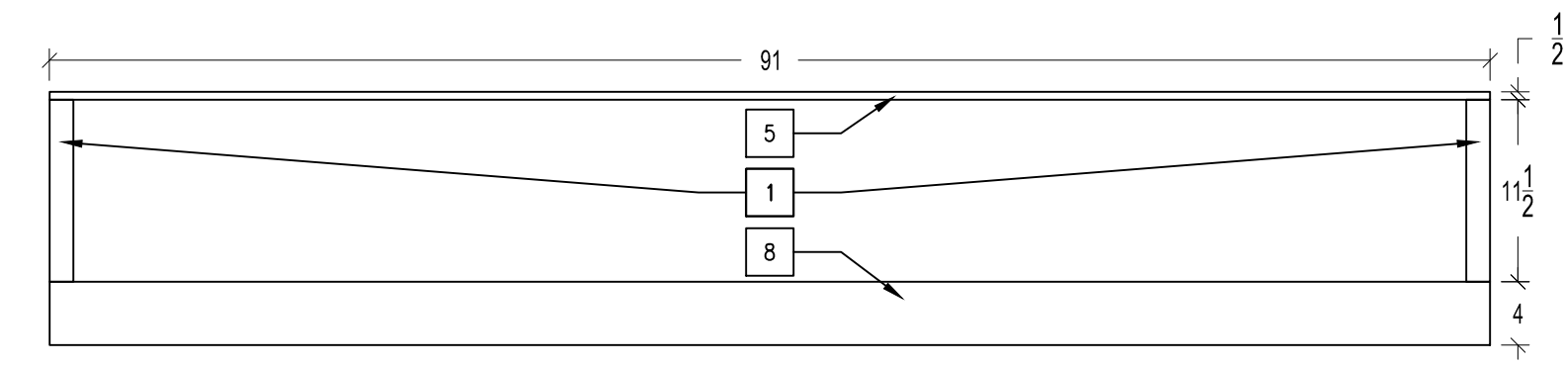
Ed Yother
 Drafting & Design
 201 Cumberland Ave
 West Lafayette, IN 47906

**TERR-05 FABRICATION
 DRAWING**

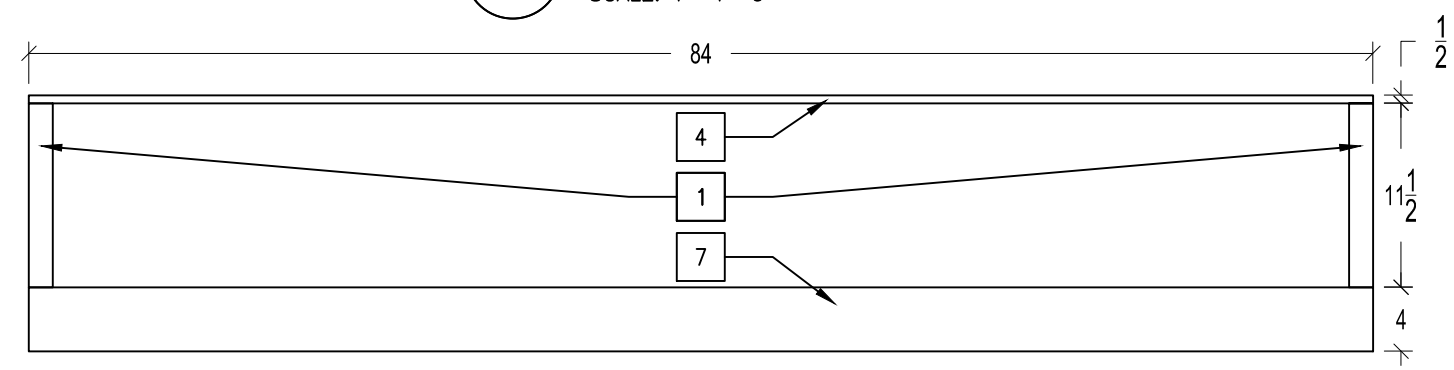
DRAWN BY:	EY
DATE:	6/19/17
REV:	0
SHEET:	306



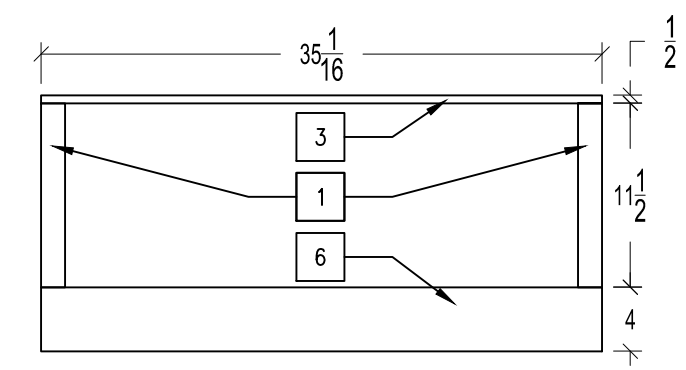
1 PLAN
 SCALE: 1"=1'-0"



1 ELEV 1
 SCALE: 1"=1'-0"



2 ELEV 2
 SCALE: 1"=1'-0"

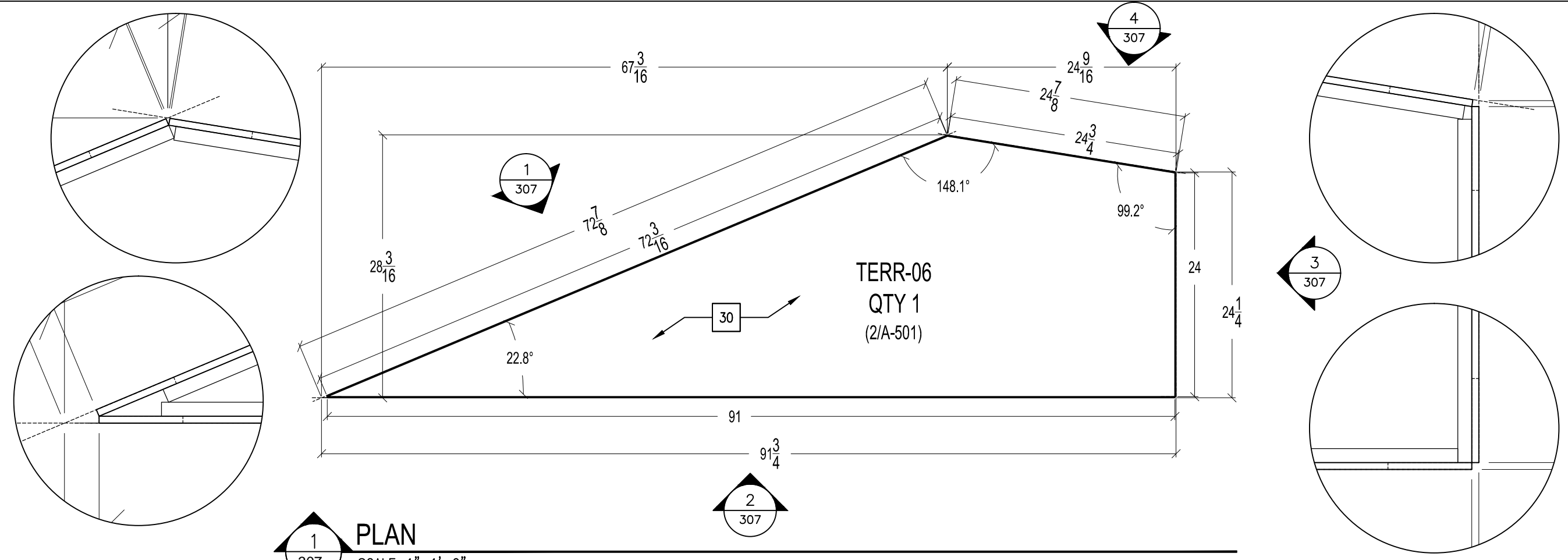


3 ELEV 3
 SCALE: 1"=1'-0"

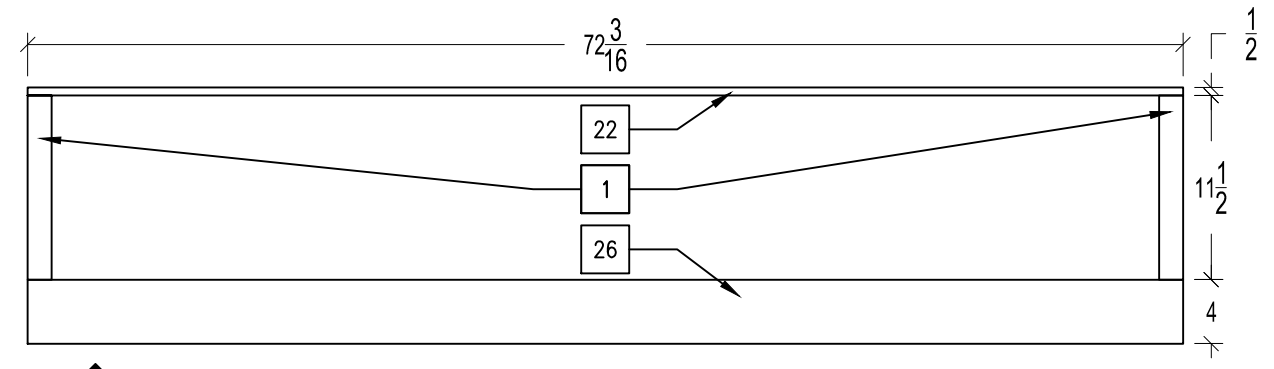
Ed Yother
 Drafting & Design
 201 Cumberland Ave
 West Lafayette, IN 47906

TERR-06 FABRICATION DRAWING

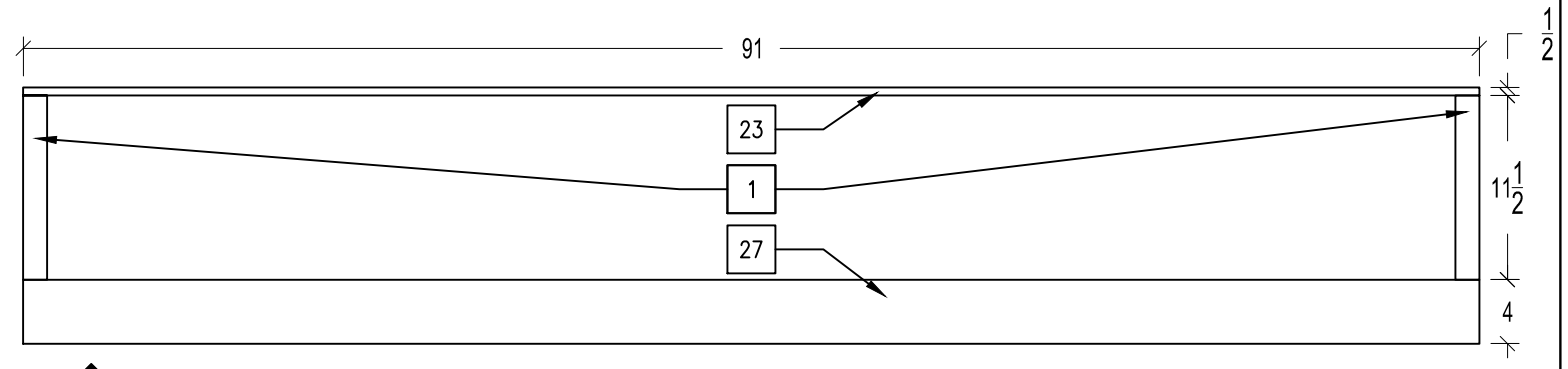
DRAWN BY:	EY
DATE:	6/19/17
REV:	0
SHEET:	307



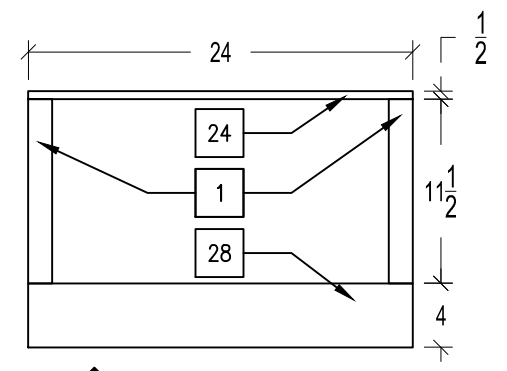
PLAN
 SCALE: 1"=1'-0"



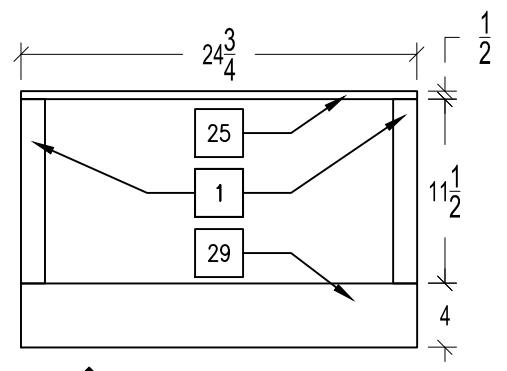
ELEV 1
 SCALE: 1"=1'-0"



ELEV 2
 SCALE: 1"=1'-0"



ELEV 3
 SCALE: 1"=1'-0"

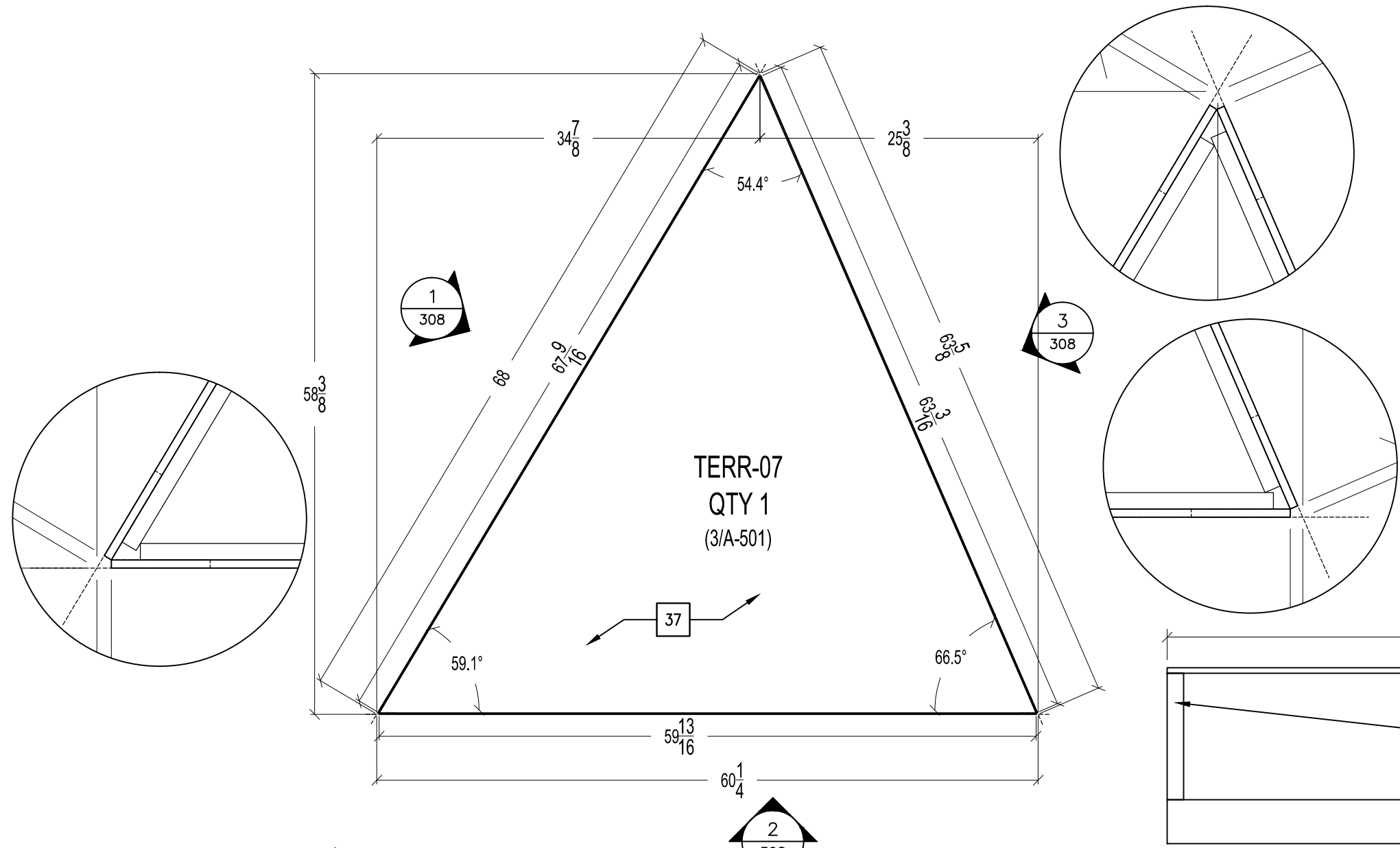


ELEV 4
 SCALE: 1"=1'-0"

Ed Yother
 Drafting & Design
 201 Cumberland Ave
 West Lafayette, IN 47906

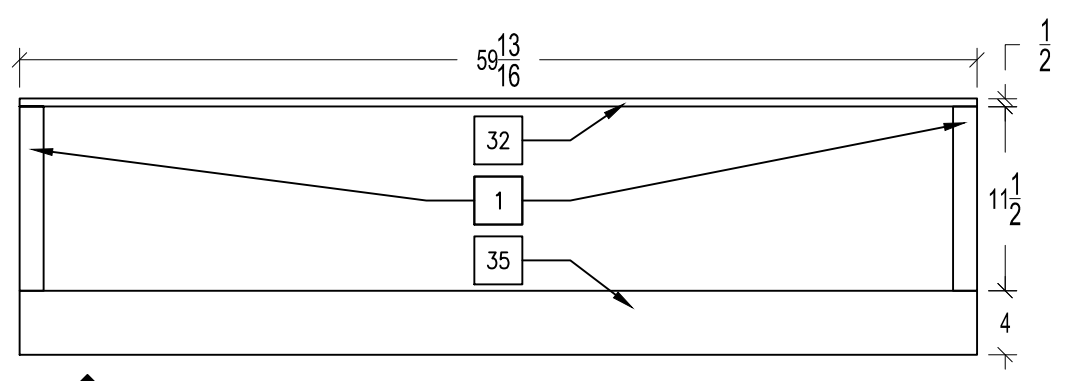
**TERR-07 FABRICATION
 DRAWING**

DRAWN BY:	EY
DATE:	6/19/17
REV:	0
SHEET:	308

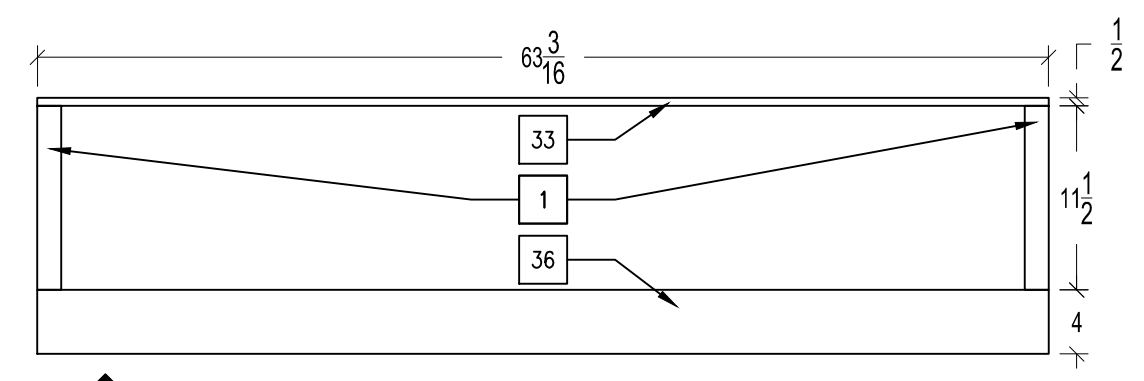


1 PLAN
 SCALE: 1"=1'-0"

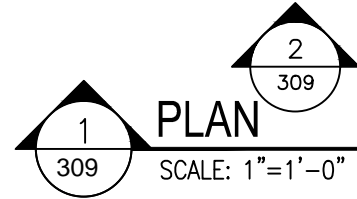
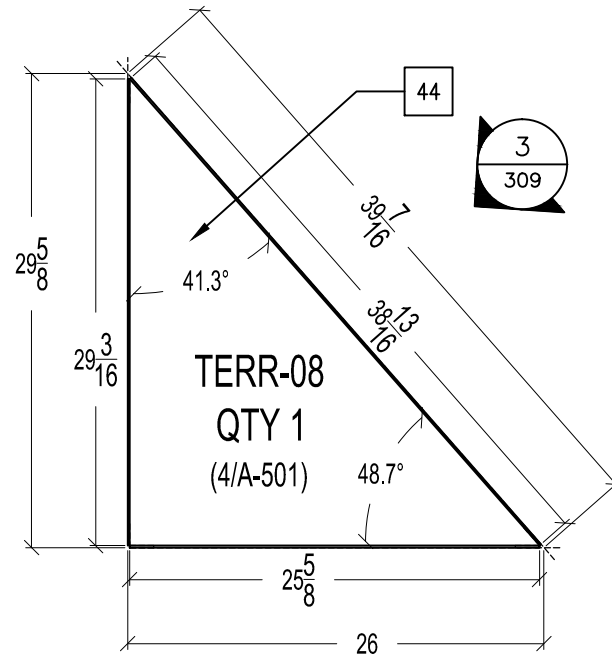
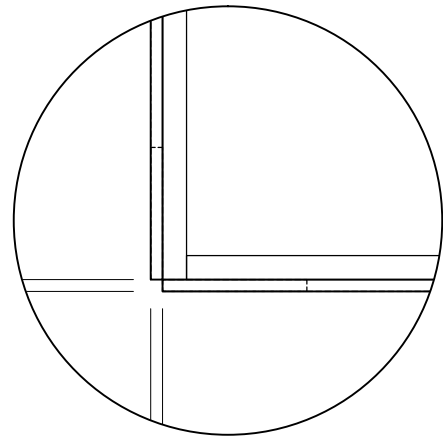
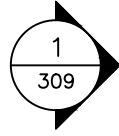
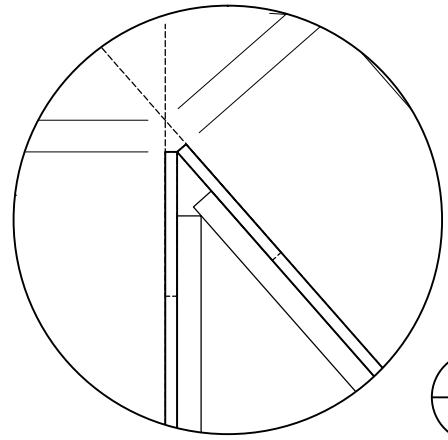
1 ELEV 1
 SCALE: 1"=1'-0"



2 ELEV 2
 SCALE: 1"=1'-0"

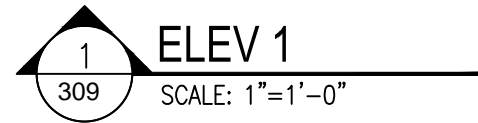
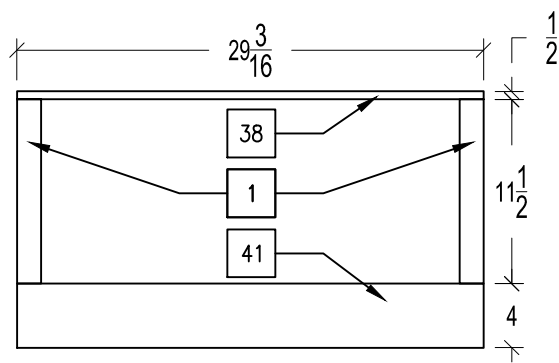
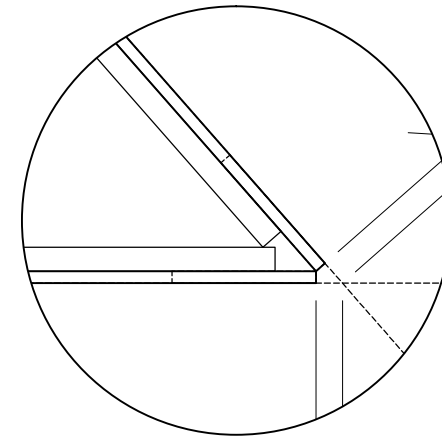


3 ELEV 3
 SCALE: 1"=1'-0"



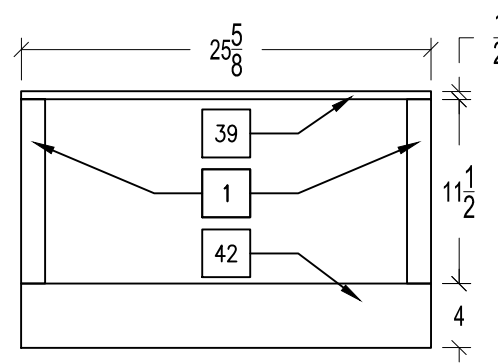
PLAN

SCALE: 1"=1'-0"



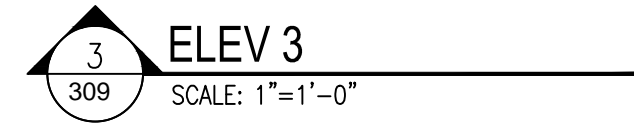
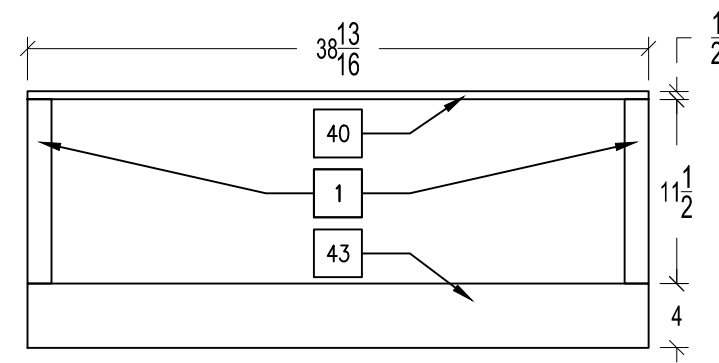
ELEV 1

SCALE: 1"=1'-0"



ELEV 2

SCALE: 1"=1'-0"



ELEV 3

SCALE: 1"=1'-0"

**TERR-08 FABRICATION
 DRAWING**

DRAWN BY: EY

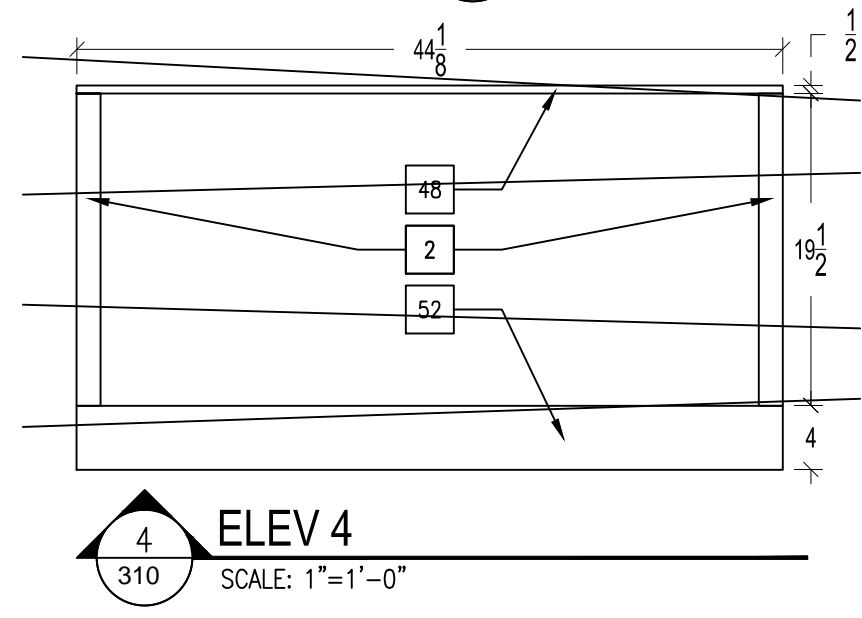
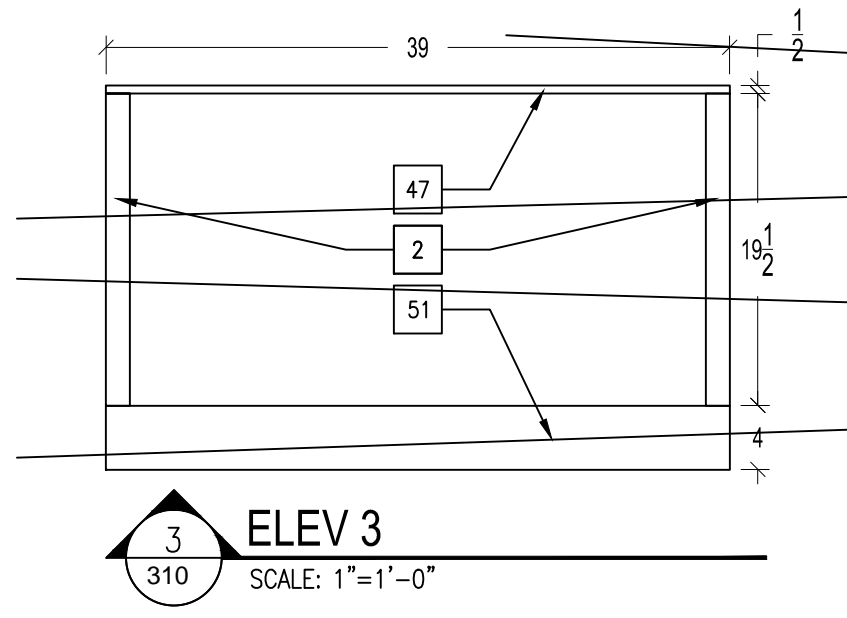
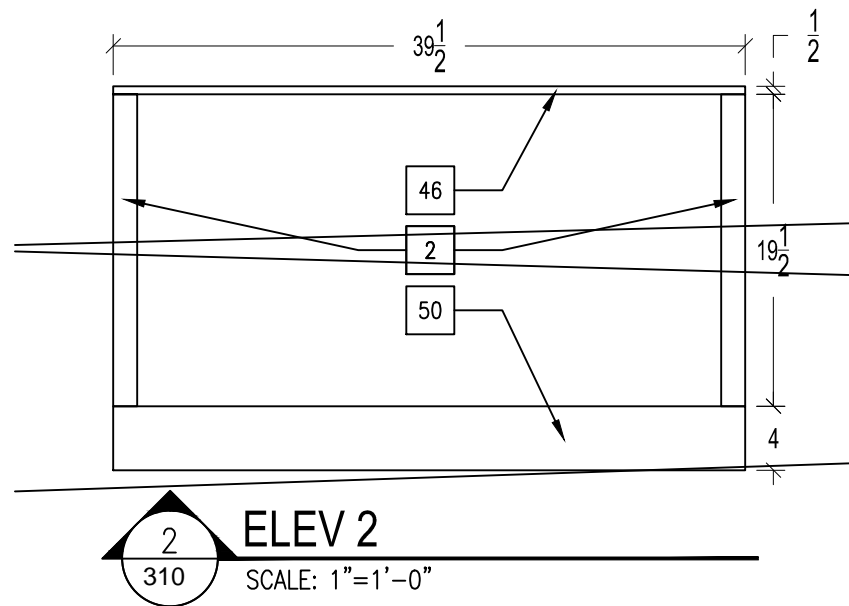
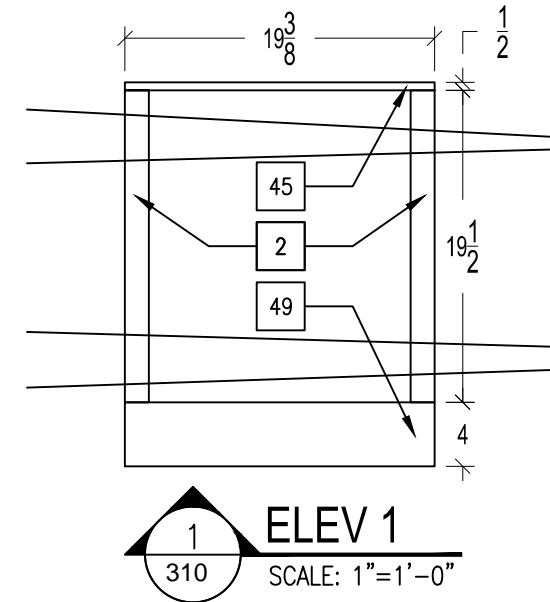
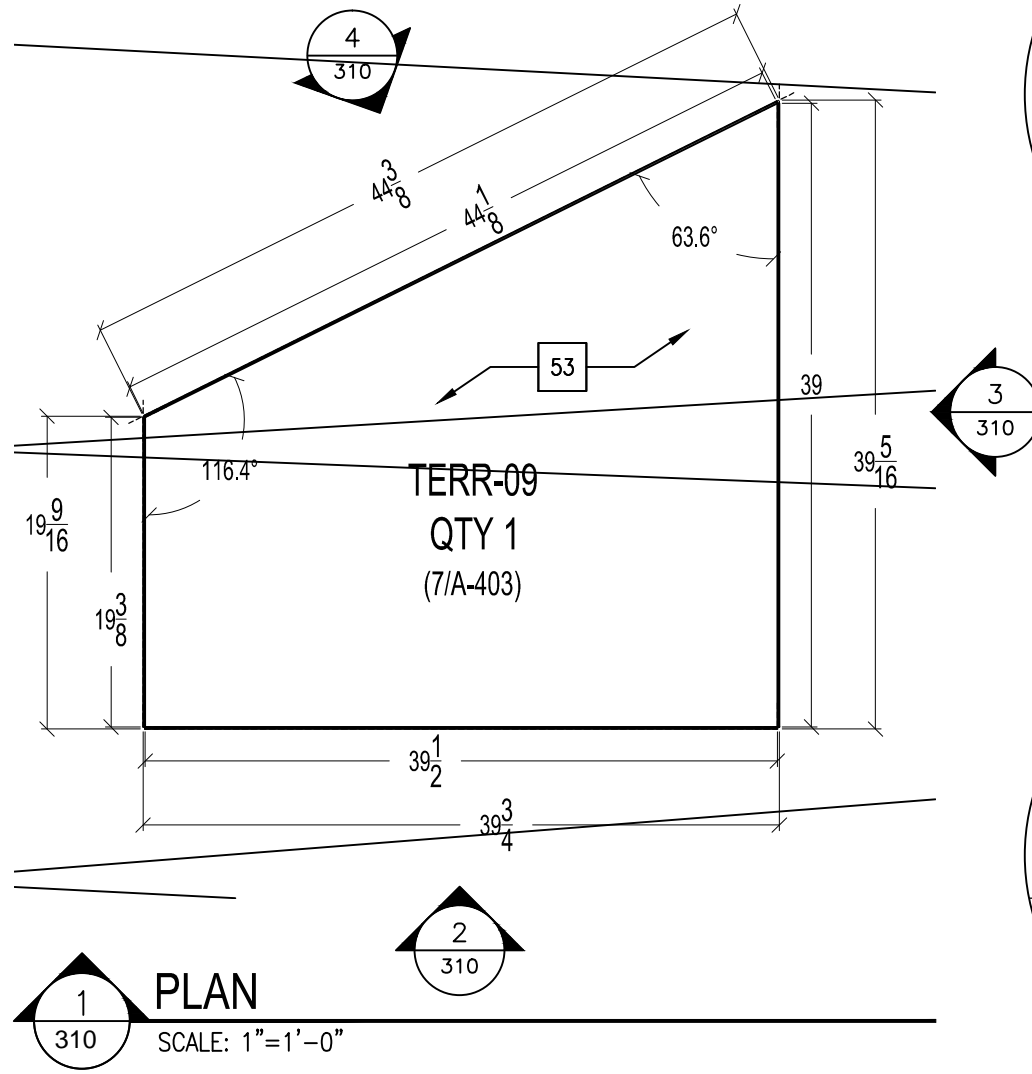
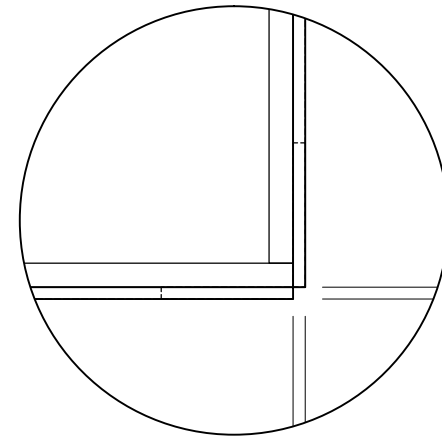
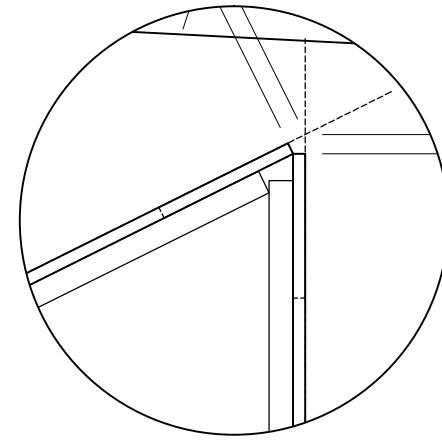
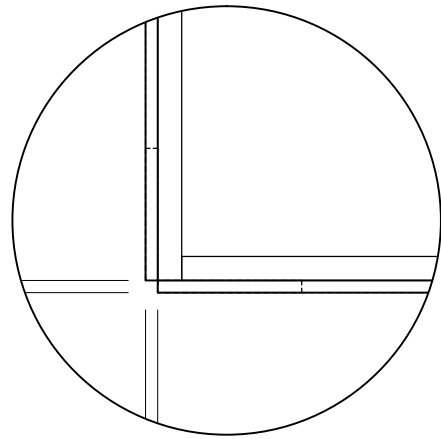
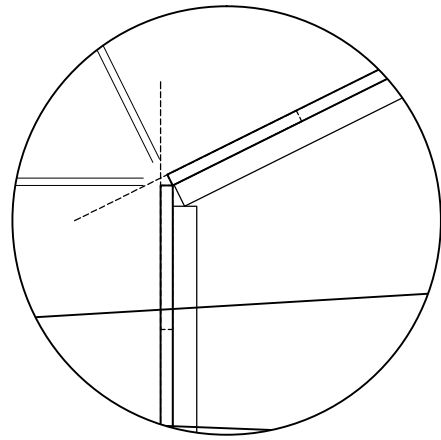
DATE: 6/19/17

REV: 0

SHEET: 309

Ed Yother
 Drafting & Design
 201 Cumberland Ave
 West Lafayette, IN 47906

TERR-09 FABRICATION DRAWING



DRAWN BY:	EY
DATE:	6/19/17
REV:	0
SHEET:	310